



# GNI-3 Magnetic Interlock Switch

**2<sup>N</sup>/<sub>C</sub> + 1<sup>N</sup>/<sub>O</sub> AUX CONTACTS**



### Technical specification

<b>Interlock contacts</b> . . . . .2 normally open	<b>Enclosure rating</b> . . . . .IP67
<b>Interlock contact max. rating</b> . . . . . 1A resistive, 0.1A inductive 100Vdc 50VA	<b>Operating distance</b> . . . . .18mm (front) 9mm (side)
<b>Internal fuse rating</b> . . . . .1.5A	<b>Dropout differential</b> . . . . .12mm
<b>Auxiliary contacts</b> . . . . .1 normally closed	<b>Misalignment tolerance</b> +/- 10mm
<b>Auxiliary contact max. rating</b> . . . . . 1A resistive, 0.1A inductive 100Vdc 50VA	<b>Operate time 1m/sec approach</b> . . . . . 21ms
<b>Operating temperature</b> . . . . . -10°C to +55°C	<b>Release time 1m/sec removal</b> . . . . . 23ms
<b>Enclosure type</b> . . . . .polycarbonate	<b>Cable length</b> . . . . .3m

### Dimensions

- 84 x 20 x 20mm (H x W x D)

### Features

- Easy installation
- Non-contact operation
- Compact, rugged design
- Conformity to EN1088
- No maintenance
- High tolerance to misalignment

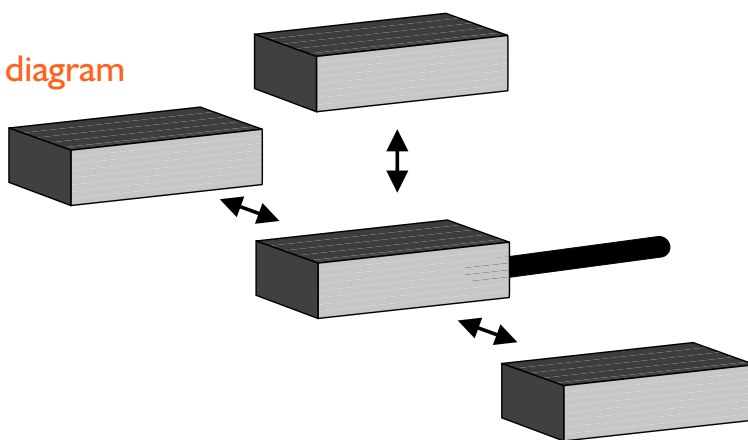
The Guardscan GNI-3 magnetic interlock provides a low-cost solution for guarding personnel access into dangerous areas. This makes it ideal for use on guard doors and perimeter gates.

The moulded polycarbonate enclosure combines high resistance to industrial contaminants with an IP67 protection rating which allows for power cleaning or even immersion.

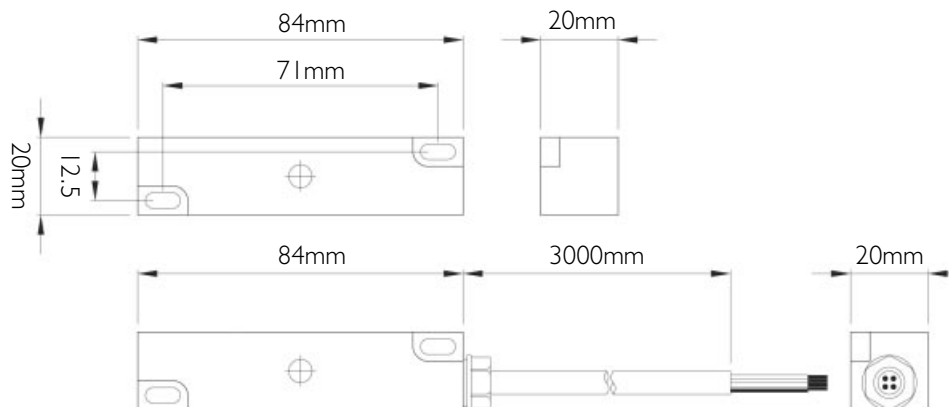
### Electrical connections

- Red & blue . . . . .Interlock contact 1
- Green & yellow . . . . .Auxiliary contact
- White & black . . . . .Interlock contact 2

### Operation diagram



### Dimensions



Order Code	Description	List Price
GNI3	Magnetic Interlock	£48.14