



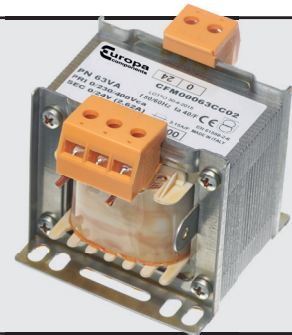
### Important Safety Notice



It is the responsibility of the person installing the electrical equipment to ensure that the installation meets the requirements of the IET wiring regulations and is therefore 'fit for purpose'. Factors such as correct selection of components, cable sizing, protective devices and Earth bonding are all critical and should be checked prior to full testing and power-up. Any other regulations applicable to the equipment being installed such as the Machinery Directive and current health and safety legislation must also be adhered to. All connections (including factory made) must be checked for the correct tightness prior to commissioning of the electrical installation.

Terminals, including factory fitted, should be checked periodically to ensure correct tightness.

**DO NOT USE POWER TOOLS ON THESE PRODUCTS**



EN 61558-2-6

CEI 96/7



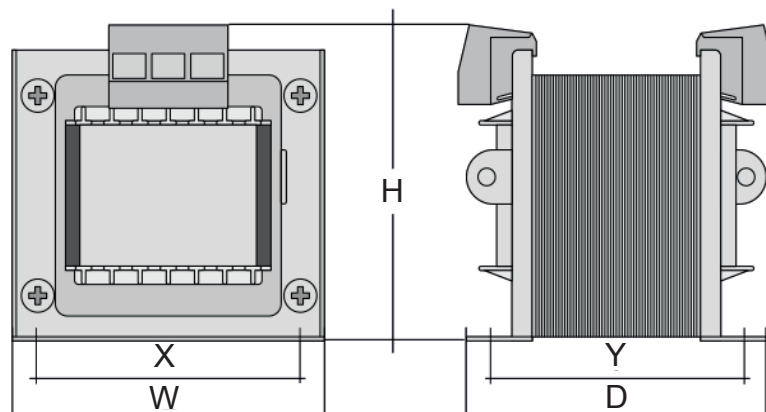
### Single phase Safety Transformers Class F direct output

Safety transformers standard version suitable for circuits where electrical isolation is required. Suitable for general use with the particularity of providing full power on the secondary circuit.

Part Number	Power	Width (W)	Depth (D)	Height (H)	Fixing X	Fixing Y	Fixing Ø	Weight
CFM-040-CC02	40 VA	76mm	78mm	80mm	62.5mm	45mm	9.8X5.4mm	1.0kg
CFM-050-CC02	50 VA	76mm	78mm	80mm	62.5mm	45mm	9.8X5.4mm	1.0kg
CFM-063-CC02	63 VA	76mm	93mm	80mm	62.5mm	60mm	9.8X5.4mm	1.43kg
CFM-100-CC02	100 VA	85mm	95mm	83mm	70mm	62mm	9.8X5.4mm	2.0kg
CFM-160-CC02	160 VA	98mm	98mm	95mm	80mm	62mm	11.7X6.1mm	2.44kg
CFM-250-CC02	250 VA	122mm	90mm	110mm	100mm	71mm	13.9X6.4mm	3.3kg
CFM-300-CC02	300 VA	122mm	95mm	110mm	100mm	76mm	13.9X6.4mm	4.3kg
CFM-500-CC02	500 VA	122mm	120mm	110mm	100mm	101mm	13.9X6.4mm	6.3kg
CFM-1K0-CC02	1000 VA	153mm	148mm	137mm	125mm	125mm	14.8X8mm	11.3kg

### Technical Data

Input Voltage	0 - 230 - 400 VAC
Output Voltage	0 - 24 VAC
Rated Output Voltage	40 - 1000 VA
Standard	EN61558-2-6, CEI 96/7
Protection against electric shock	Class 1
Operating time	Continuous
Protection degree	IP 00
Terminals protection degree	IP 20
Max. ambient temperature	+40°C
Thermal class	F - 155°C
Frequency	50/60 Hz



Europa House, Airport Way, Luton, Beds, LU2 9NH Tel: 01582 692 440 / Fax: 01582 692 450

e-mail: [sales@europacomponents.com](mailto:sales@europacomponents.com)

website: <http://www.europacomponents.com>