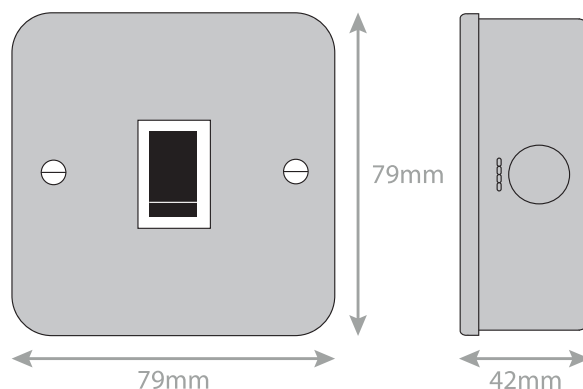
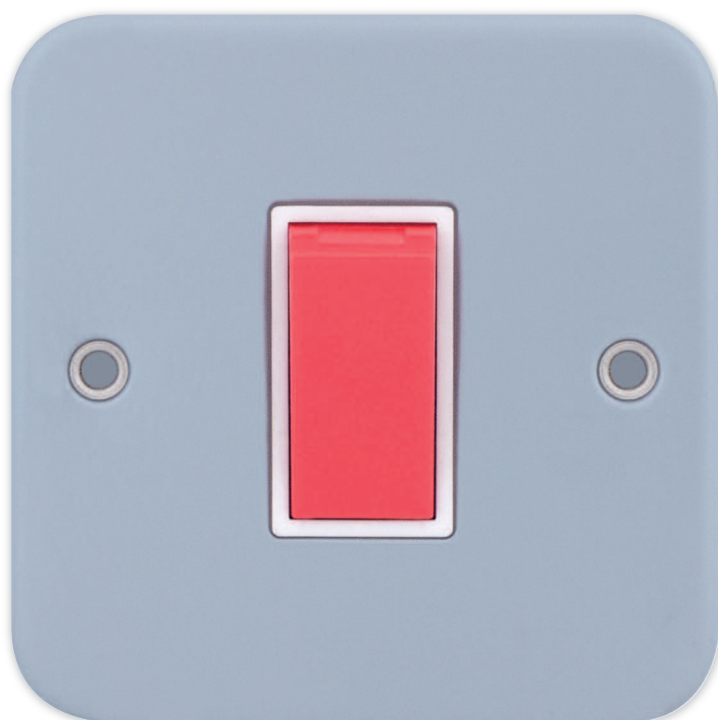


Data Sheet : LG951MB



Code	LG951MB
Description	45 Amp DP Switch
Size	79mm x 79mm x 42mm depth
Range	Selectric Metal Clad
Colour	Grey with white insert & red rocker
Material	High grade steel with aluminium epoxy powder coating
Included	Back box & M3.5 fixing screws
Weight	0.35kg
Inner Carton Quantity	10
Inner Carton Weight	3.5kg
Guarantee	15 years
Barcode	5025117033050
Commodity Code	8539 319090
Standards	BS EN 60669-1
Notes	<ul style="list-style-type: none"> • Suitable for the switching of domestic, commercial and industrial appliances where a higher current ratings is required, i.e. cookers, heater units etc • Modular and Euro Media products available within the range • Surface mounting box included