

# LED Area Light Ex eb mb op is

Zones: **1** **21** **2** **22** Cat: **2**

Our brand new LED Area Light is a high efficiency luminaire which boasts an impressive light output from 10,000 to 24,000 Lumens (Subject to variant).

Certified for use in Zone 1, 21, 2, 22 and also suitable for industrial applications this is a modern and versatile luminaire. The high quality corrosion resistant aluminium body gives excellent durability in offshore environments, and the LED light engine provides a long service life which is virtually maintenance free.

- ✓ Low maintenance high efficiency LED light source
- ✓ High quality corrosion resistant aluminium alloy body
- ✓ Durable construction
- ✓ Long service life
- ✓ Virtually maintenance free
- ✓ Steel swivel mounting bracket



## Specifications & Options



<b>Label Marking</b>	II 2 G D Ex eb mb op is IIC T4 Gb Ex tb op is IIIC T135°C Db	<b>Certificate No.s</b>	CML 17ATEX3027X IECEX CML 17.0018X
<b>Zoned areas</b>	Zones 1, 2, 21 & 22	<b>IP rating</b>	IP66 / IP67
<b>Ambient range ( max )</b>	-40°C to +55°C		
<b>Material</b>	Corrosion resistant aluminium alloy		
<b>Cable entries</b>	2 off M20/M25 entries		
<b>Electrical connections</b>	Up to 4mm <sup>2</sup>		
<b>Light source</b>	High Efficiency LED		
<b>Light output</b>	Various ranging from 10,000lm @85w to 24,000lm @150w (max)		
<b>Supply voltage (s)</b>	220V-240V AC 50/60 Hz as standard		
<b>Installation / Mounting</b>	Steel swivel mounting bracket		
<b>Control gear</b>	Integral within the luminaire		
<b>Dimensions</b>	400mm x 400mm x 231mm		
<b>Weight</b>	11kg		

**We offer  
a lighting  
design  
service**

# LED Area Light Ex eb mb op is

## CIRCUIT BREAKER / INRUSH CURRENT

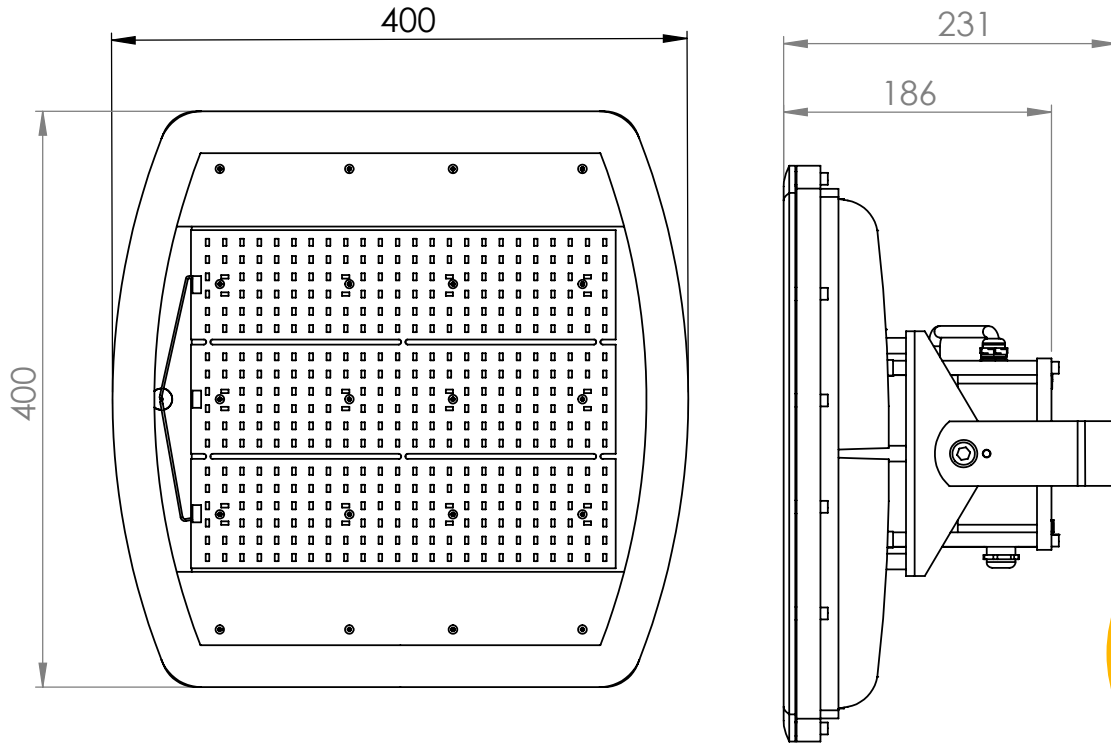
Model	typ.Ipeak	No. of Luminaires per single pole Circuit Breaker				
		Type	10A	16A	20A	25A
Area Light	9.2A/50 μ	B	15	18	25	30
		C	21	25	31	37
	16.2A/184 μ	B	10	13	20	25
		C	16	20	26	32

Supply voltage @230 VAC, mains impedance = 1ff  
In case of multi-pole CB the maximum number is reduced by 20%.

The maximum number may differ depending on CB manufacturer.

Please consult the manufacturer specifications.

Circuit Breakers with C characteristics are recommended for LED lighting circuits.



## ORDERING INFORMATION

Part Number	Description	Light Source	Light Output	Power consumption
ALED/Z1/85	ZONE 1 AREA LIGHT	LED	10,000lm	84w
ALED/Z2/85	ZONE 2 AREA LIGHT	LED	12,770lm	84w
ALED/85	Industrial AREA LIGHT	LED	12,770lm	84w
ALED/Z1/150	ZONE 1 AREA LIGHT	LED	19,000lm	156w
ALED/Z2/150	ZONE 2 AREA LIGHT	LED	24,000lm	156w
ALED/150	Industrial AREA LIGHT	LED	24,000lm	156w

For safer hazardous areas call us today on

**0121 783 7161**

[sales@petrel-ex.co.uk](mailto:sales@petrel-ex.co.uk) | [www.petrel-ex.co.uk](http://www.petrel-ex.co.uk)



**Petrel**  
.....  
Hazardous Area Lighting & Control