



INTERCONNECTABLE FAST FIX MAINS SMOKE DETECTOR

**FAST
FIX**

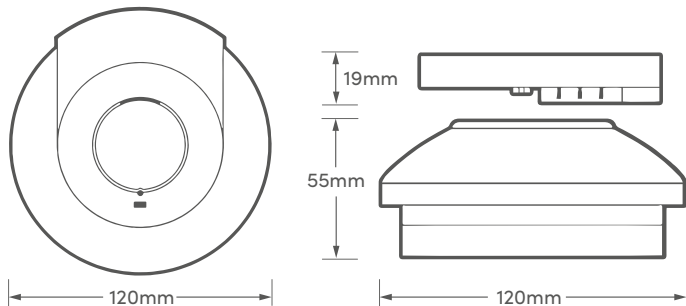


FEATURES

- Interconnect up to 20 wired detectors over 80m max
- 9v Battery Backup included
- Loud 85dB alarm
- Fast Fix base included
- Insect proof
- Test function and hush feature

TECHNICAL INFORMATION

| | |
|--------------------|--|
| Scheme Rating: | D1 |
| Detection Type: | Photoelectric Sensor |
| Power Source: | 220-240v |
| Battery Backup: | 9v Battery Backup |
| Alarm Sound Level: | 85dB at 3 meters |
| Operating Temp: | 0°C ~ 40°C |
| Operating Current: | <40mA operation |
| Coverage Area: | 60m ² max at 2.4m mounting height |
| Weight: | 162g |
| Approvals: | BS EN14604:2005 |



Product Code: HSSA/PE/FF