



HF-Performer III for TL5 lamps

HF-P 249 TL5 HO III 220-240V 50/60Hz IDC

HF-Performer III TL5 is a sustainable, slim and high-frequency electronic ballast for TL5 and TL5 Eco fluorescent lamps. It is ideal for applications where high energy efficiency is required. The HF-Performer III range has a robust design, meets all relevant international safety and performance standards and is energy-efficient (CELMA EEI A2 BAT).

Product data

Operating and Electrical	
Input Voltage	220 to 240 V
Line Frequency	50 to 60 Hz
Input frequency	50 to 60 Hz
Inrush current width	0.25 ms
Inrush current peak (max.)	31 A
Number of products on MCB (16 A type B) (nom.)	12
Wiring	
Connector type input terminals	WAGO 251 universal connector [Suitable for both automatic wiring (ALF and ADS) and manual wiring]
Connector type output terminals	WAGO 251 universal connector [Suitable for both automatic wiring (ALF and ADS) and manual wiring]
Temperature	
Ambient temperature range	-25°C to 60°C
T-case lifetime (nom.)	80 °C

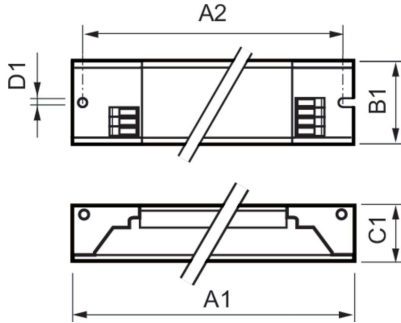
T-Case maximum (max.)	80 °C
Mechanical and Housing	
Housing	L360x30x22
Approval and Application	
Ingress protection code	IP20 [Finger-protected]
Energy efficiency index	A2 BAT
Safety standard	IEC 61347-2-3
Environmental standard	ISO 14001
Approval marks	CE marking ENEC certificate VDE-EMV certificate
Product Data	
Order product name	HF-P 249 TL5 HO III 220-240V 50/60Hz IDC
Full product name	HF-P 249 TL5 HO III 220-240V 50/60Hz IDC
Full EOC	872790086347500
Order code	86347500
Material no. (12 NC)	913713028166
Local order code	HFP249TL5HOIII

HF-Performer III for TL5 lamps

Numerator – quantity per pack	1
Net Weight (Piece)	0.267 kg
EAN/UPC – Product/Case	8711500881984
Numerator – packs per outer box	12

EAN/UPC - Case	8727900863475
----------------	---------------

Dimensional drawing



Product	D1	C1	A1	A2	B1
HF-P 249 TL5 HO III 220-240V 50/60Hz IDC	4.2 mm	22.0 mm	360.0 mm	350.0 mm	30.0 mm

