

Data Sheet :

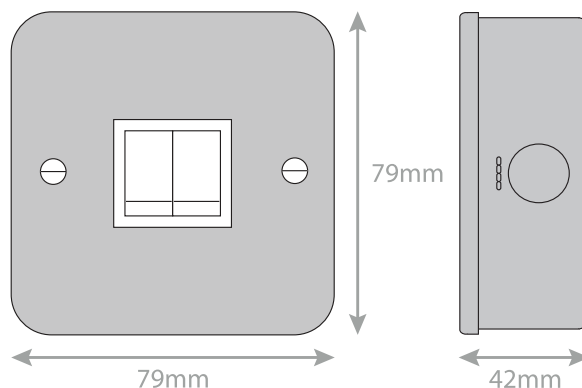
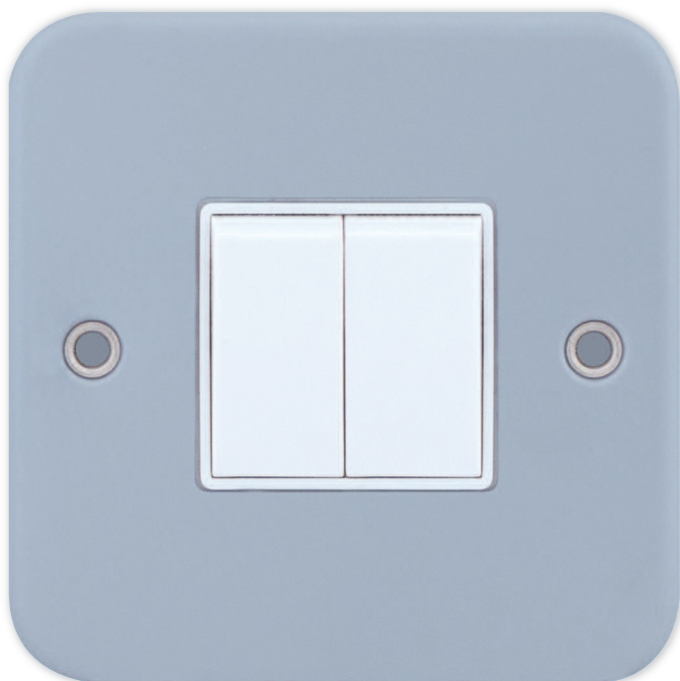
LG202MB



Intertek



Electrical & Lighting Products



Code	LG202MB
Description	10 Amp Plate Switch - 2 Gang 2 Way - X-Rated
Size	79mm x 79mm x 42mm depth
Range	Selectric Metal Clad
Colour	Grey with white insert
Material	High grade steel with aluminium epoxy powder coating
Included	Back box & M3.5 fixing screws
Weight	0.25kg
Inner Carton Quantity	10
Inner Carton Weight	2.5kg
Guarantee	15 years
Barcode	5025117012024
Commodity Code	8539 319090
Standards	BS EN 60669-1
Notes	<ul style="list-style-type: none"> • ASTA approved • X-rated for fluorescent or inductive loads • Modular and Euro Media products available within the range • Surface mounting box included