

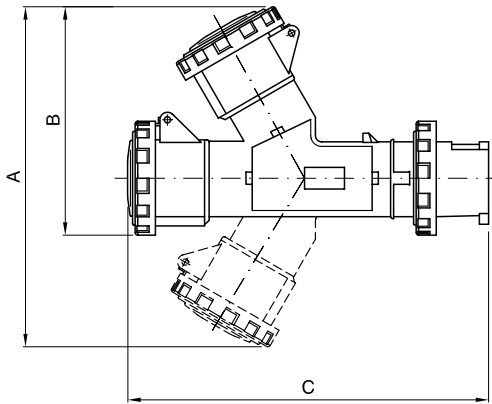
Technical data and compliance with Standards

ELECTRICAL AND MECHANICAL CHARACTERISTIC										
Rated current In (A)	Degree of protection (IP)	Standard	Rated voltage Un (V)	Permissible overload (A)	No. of operations carried out	Breaking capacity at 1.1 Un (A)	Impact resistance (IK)	Insulation resistance (MΩ)	Heat resistance	Resistance to abnormal heat and fire
									Thermo-pressure with ball (°C)	Glow Wire Test (°C)
16	IP44 e IP67	EN 60309-1 EN 60309-2	Da 24 a 500	22	> 5000	20	IK 08	> 10	125 Passive parts 80 Active parts	850 Active parts 650 Passive parts
32				42	> 2000	40				
63				-	> 2000	79				

BEHAVIOUR WITH CHEMICAL AND ATMOSPHERIC AGENTS										
Saline solution	Acids		Bases		Solvents				Mineral oil	UV rays
	Concentrated	Diluted	Concentrated	Diluted	Hexane	Benzol	Acetone	Alcohol		
Resistant	Not resistant	Limited resistance	Limited resistance	Resistant	Resistant	Resistant	Resistant	Resistant	Resistant	Resistant

Dimension tables - Multiple and adaptor socket-outlets

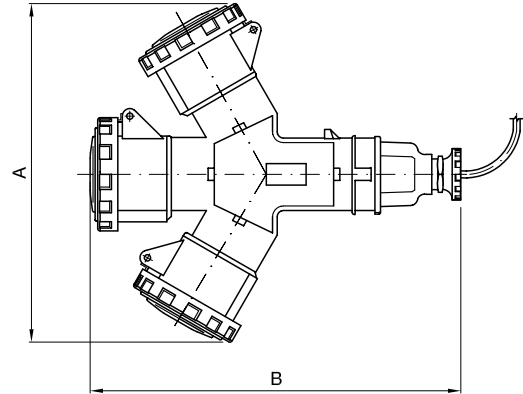
MOBILE WATERTIGHT MULTIPLIERS - IP67



CODE	A	B	C	No. OUTPUTS
GW 64 008		146	235	2
GW 64 010				
GW 64 009		156	246	
GW 64 011				
GW 64 012		166	258	3
GW 64 014				
GW 64 022	218		235	
GW 64 024				
GW 64 023			246	3
GW 64 025	230			
GW 64 027				

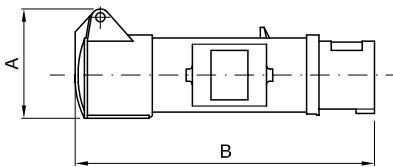
CODE	A	C	No. OUTPUTS
GW 64 026	242	258	3
GW 64 028			
GW 64 059	245	260	
GW 64 060			
GW 64 062	235	265	
GW 64 063	250	280	
GW 64 064	255	295	
GW 64 061	280	305	
GW 64 065	295	370	
GW 64 068	270	270	

MOBILE MULTIPLIERS WITH WATERTIGHT CABLE AND PLUG - IP67



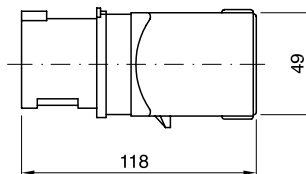
CODE	A	B
GW 64 050	218	254
GW 64 052		
GW 64 051		
GW 64 053	230	262
GW 64 055		
GW 64 054	242	277
GW 64 056		

PROTECTED MOBILE PHASE INVERTER ADAPTERS



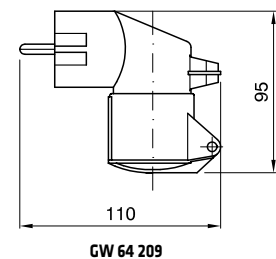
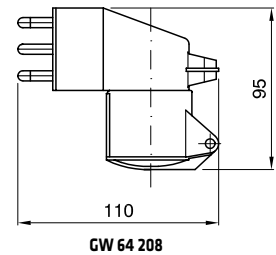
CODE	A	B
GW 64 066	76	196
GW 64 067	83	196

MOBILE SYSTEM ADAPTERS (FROM INDUSTRIAL TO DOMESTIC)

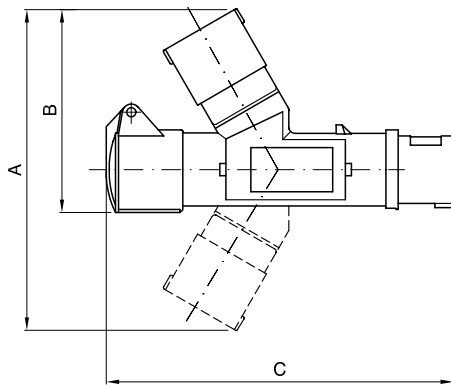


CODE	A
GW 64 203	118
GW 64 204	
GW 64 206	
GW 64 210	
GW 64 211	
GW 64 212	
GW 64 215	123
GW 64 207	
GW 64 216	
GW 64 217	

MOBILE SYSTEM ADAPTERS (FROM DOMESTIC TO INDUSTRIAL)

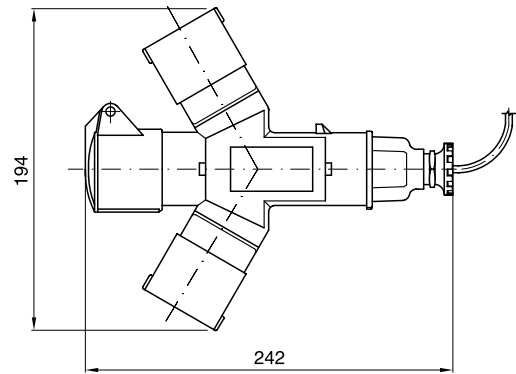


MOBILE SYSTEM ADAPTER SHUNTS WITH PLUG



CODE	A	B	C	No. OUTPUTS
GW 64 221		125	233	2
GW 64 222				
GW 64 223				
GW 64 226		134	245	
GW 64 227				
GW 64 228				
GW 64 231	194		233	3
GW 64 232				
GW 64 236	202		245	

MOBILE SYSTEM ADAPTER SHUNTS WITH CABLE AND PLUG



CODE	A	B
GW 64 263	194	242
GW 64 265		
GW 64 256	202	254