



## INTERCONNECTABLE FAST FIX MAINS HEAT DETECTOR

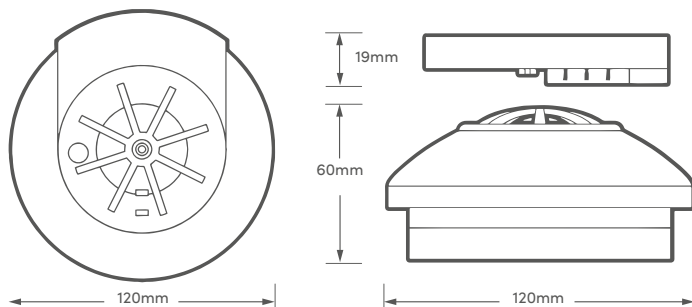
WITH 10 YEAR RECHARGEABLE LITHIUM BATTERY

**FAST  
FIX**



### FEATURES

- Interconnect up to 20 wired detectors over 8m max
- 10yr Rechargeable Lithium Battery Backup
- Loud 85dB alarm
- Fast Fix base included
- Insect proof
- Test function and hush feature
- Tamper proof



### TECHNICAL INFORMATION

|                    |  |
|--------------------|--|
| Scheme Rating:     | D1   |
| Detection Type:    | Heat Sensitive                                 |
| Power Source:      | 220-240v                                       |
| Battery Backup:    | Rechargeable Lithium Battery with 10 year life |
| Alarm Sound Level: | 85dB at 3 metres                               |
| Alarm Point:       | 60°C Fixed Temp                                |
| Operating Temp:    | 0°C - 40°C                                     |
| Operating Current: | <40mA operation                                |
| Coverage Area:     | 20m <sup>2</sup> max at 2.4m mounting height   |
| Weight:            | 144g   |
| Approvals:         | BS EN5446-2:2003                               |

Product Code: HSSA/HE/FF10