

TRIDONIC

▼ enlightening your ideas

Catalogue 2012

Magnetic chokes for HID

PHASED OUT

Overview

Product overview	Page 7
Lamp matrix – High-pressure mercury lamps	Page 8
Lamp matrix – High-pressure sodium lamps	Page 9
Lamp matrix – Metal halide lamps	Page 15
Compensation matrix	Page 23

Product information

Magnetic chokes for high-intensity discharge lamps	Page 27
Supply units for high-intensity discharge lamps	Page 29

OM chokes

High-pressure mercury and metal halide lamps

OMB 50 – 400 W OM PRO, push-in terminal	Page 30
OMB 50 – 400 W OM PRO, screw terminal	Page 31
OMB 50 – 400 W Vario 6-point	Page 32
OMB 50 – 400 W Vario 4-point	Page 33

High-pressure sodium and metal halide lamps

OMBIS 35 – 150 W OM PRO, push-in terminal	Page 34
OMBIS 35 – 150 W OM PRO, screw terminal	Page 36
OMBIS 35 – 250 W OM PRO pulser tapping, screw terminal	Page 38
OMBIS 35 – 250 W Vario 6-point	Page 39
OMBIS 35 – 250 W Vario 4-point	Page 41

SON SDW-T special lamp

OMB SDW 35 – 100 W for ignitors CSLS (Philips)	Page 43
--	---------

OG chokes

High-pressure mercury and metal halide lamps

OGL 250 – 1000 W	Page 44
------------------	---------

High-pressure sodium and metal halide lamps

OGLIS 250 – 1000 W	Page 45
OGLIS 250 – 600 W Vario	Page 47

Metal halide lamps

OGLI 2000 W	Page 48
-------------	---------

EC HID chokes

High-pressure mercury lamps

ECM 50 – 80 W	Page 49
---------------	---------

High-pressure sodium and metal halide lamps

ECIS 35 – 70 W	Page 50
----------------	---------

Suitable for lamp type

HM HI HS

•	•	
•	•	
•	•	
•	•	

	•	•
	•	•
	•	•
	•	•

		•
--	--	---

•	•	
---	---	--

	•	•
	•	•

	•	•
--	---	---

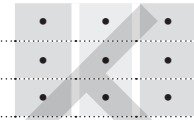
•	•	
---	---	--

	•	•
--	---	---

PHASED OUT

ECF/OMF blocking inductors

ECF 8 – 32	Page 51
ECF 8 – 60	Page 52
OMF 37 – 60	Page 53



OM PAK supply units

OM PAK 35 – 150 W standard version	Page 54
OM PAK 35 – 150 W standard version with lamp cable	Page 55
OM PAK 35 – 150 W digital ignitor with timer	Page 56
OM PAK 35 – 150 W digital ignitor with timer and lamp cable	Page 57



Ignitor Matrix Page 58

Wiring diagrams and installation examples Page 59

PHASED OUT

Product overview



OM chokes

Series: OMB, OMBIS, OMBS

Magnetic chokes for HID

- Max. winding temperature $t_w = 130\text{ °C}$
- Cross-section 65 x 47 mm
- Core lengths from 30 to 150 mm
- Can be used for wattages between 35 and 400 W



OG chokes

Series: OGL, OGLI, OGLIS

Magnetic chokes for HID

- Max. winding temperature $t_w = 130\text{ °C}$
- Width 107 mm, height 78, 90 or 106 mm
- Core lengths from 30 to 210 mm
- Can be used for wattages between 250 and 3,500 W
- High efficiency and low self-heating



EC chokes

Series: ECM, ECIS

Magnetic chokes for HID

- Max. winding temperature $t_w = 130\text{ °C}$
- Compact cross-section (41 x 31 mm)
- Core lengths from 90 to 160 mm
- Can be used for wattages up to 150 W



ECF/OMF blocking inductors

ECF: Blocking inductors – standard

OMF: Blocking inductors with double insulation

- Blocking frequency $> 485\text{ Hz}$



OM PAK supply units

Supply units for high-pressure sodium lamps and metal halide lamps:

- Low-loss OM series choke with thermal overload protection
- Exceptionally quiet operation
- Can be used even in high temperatures
- Simple connection in a generously sized connection compartment; no tools required
- Choice of rated voltage for 230, 240 and 250 V

Lamp matrix – High-pressure mercury lamps

High-pressure mercury lamps, 50 – 1,000 W					ECM	ECIS	OMB	OMBS	OMBIS	OGL	OGLS	OGLI	OGLIS	OM PAK	
Manufacturer	Wattage	Description	Cap	Current A											
GE	50 W	H 50 ...	E27	0.60	•		•								
	80 W	H 80 ...	E27/B22	0.80	•		•								
	125 W	H 125 ...	E27/B22	1.15	•		•								
	250 W	H 250 ...	E40	2.15			•			•					
	400 W	H 400 ...	E40	3.25			•			•					
	700 W	H 700 ...	E40	5.45						•					
	1,000 W	H 1000 ...	E40	7.50						•					
Iwasaki	50 W	HF 50 PD	E27	0.61	•		•								
	80 W	HF 80 PD	E27	0.80	•		•								
	125 W	HF 125 PD	E27/E40	1.15	•		•								
	250 W	HF 250 PD	E40	2.13			•			•					
	400 W	HF 400 PD	E40	3.25			•			•					
	700 W	HF 700 PD	E40	5.40						•					
	1,000 W	HF 1000 PD	E40	7.50						•					
Osram	50 W	HQL 50	E27	0.60	•		•								
	80 W	HQL 80	E27	0.80	•		•								
	125 W	HQL 125	E27	1.15	•		•								
	250 W	HQL 250	E40	2.15			•			•					
	400 W	HQL 400	E40	3.25			•			•					
	700 W	HQL 700	E40	5.40						•					
	1,000 W	HQL 1000	E40	7.50						•					
Philips	50 W	HPL-N 50 W	E27	0.61	•		•								
	80 W	HPL-N 80 W	E27	0.80	•		•								
	125 W	HPL-N 125 W	E27/E40	1.15	•		•								
	250 W	HPL-N 250 W	E40	2.10			•			•					
	400 W	HPL-N 400 W	E40	3.25			•			•					
	700 W	HPL 700 W	E40	5.40						•					
	1,000 W	HPL-N 1000 W	E40	7.50						•					
Radium	50 W	HRL 50	E27	0.62	•		•								
	80 W	HRL 80	E27	0.80	•		•								
	125 W	HRL 125	E27	1.15	•		•								
	250 W	HRL 250	E40	2.15			•			•					
	400 W	HRL 400	E40	3.25			•			•					
	700 W	HRL 700	E40	5.40						•					
	1,000 W	HRL 1000	E40	7.50						•					
		HRLV 1000	E40	7.50						•					
Sylvania	50 W	HSL-BW 50	E27	0.62	•		•								
	80 W	HSL-BW 80	E27	0.80	•		•								
	125 W	HSL-BW 125	E27/E40	1.15	•		•								
	175 W	H39KC-175 /DX	E39	1.50			•								
	250 W	HSL-BW 250	E40	2.15			•			•					
	400 W	HSL-BW 400	E40	3.25			•			•					
	700 W	HSL-BW 700	E40	5.40						•					
	1,000 W	H34GW-1000 /DX	E39	8.00											
H36GW-1000 /DX		E39	4.00												
HSL-BW 1000W		E40	7.50						•						

Lamp matrix – High-pressure sodium lamps

High-pressure sodium lamps, 70 – 600 W BLV				$U_{\text{ign}} = 2.5 \text{ kV}$	$U_{\text{ign}} = 5.0 \text{ kV}$	$U_{\text{ign}} < 1 \text{ kV}$	ECM	ECIS	OMB	OMBS	OMBIS	OGL	OGLS	OGLI	OGLIS	OM PAK
Wattage	Description	Cap	Current A													
70 W	NAH-E 70	E27	1.00	•				•		•						
	NAH-TR 70	RX7s	1.00	•	•			•		•						•
150 W	NAH-T 150	E40	1.80		•			•			•					•
	HST-DE 150	Fc2, RX7s	1.80		•			•			•					•
250 W	NAH-T 250	E40	3.00		•						•				•	
	HST-DE 250	Fc2, RX7s	3.00		•						•				•	
400 W	NAH-T 400	E40	4.60		•								•			
	HST-DE 400	Fc2, RX7s	4.60		•								•			
600 W	NAH-T 600	E40	6.20		•								•			

High-pressure sodium lamps, 50 – 1,000 W GE				$U_{\text{ign}} = 2.5 \text{ kV}$	$U_{\text{ign}} = 5.0 \text{ kV}$	$U_{\text{ign}} < 1 \text{ kV}$	ECM	ECIS	OMB	OMBS	OMBIS	OGL	OGLS	OGLI	OGLIS	OM PAK
Wattage	Description	Cap	Current A													
50 W	LU 50/90	E27	0.76	•						•						
	LU 50/90...I	E27	0.76		integrated					•						
70 W	LU 70/90...I	E27	0.98		integrated			•			•					
	LU 70/90...	E27	0.98	•				•			•					
100 W	LU 100 ...	E40	1.20		•						•					
	TCF 100	E40	1.20		•						•					
150 W	LU 150/100 (S56)	E40	1.80		•			•			•					•
	TCF 150	E40	1.80		•			•			•					•
250 W	LU 250 .../40 (S50)	E40	3.00		•						•				•	
	LU 250/TD	RX7s	2.95		•						•				•	
400 W	LU 400 ...	E40	4.60		•								•			
	LU 400W .../TD	RX7s	4.40		•								•			
600 W	LU 600	E40	6.00		•								•			
1,000 W	LU 1000 (S52)	E40	4.70													
	LU 1000/110	E40	10.30		•										•	

HID magnetic chokes

Lamp matrix – High-pressure sodium lamps

High-pressure sodium lamps, 50 – 1,000 W Iwasaki				$U_{\text{ign}} = 2.5 \text{ kV}$	$U_{\text{ign}} = 5.0 \text{ kV}$	$U_{\text{ign}} < 1 \text{ kV}$	ECM	ECIS	OMB	OMBS	OMBIS	OGL	OGLS	OGLI	OGLIS	OM PAK
Wattage	Description	Cap	Current A													
50 W	NH 50 F/HV/I	E27	0.76	integrated						•						
	NHT 50 /I	E27	0.76	integrated						•						
	NH 50 .../HV/...	E27	0.76	•						•						
70 W	NH 70 F/HV/I	E27	0.98	integrated				•		•	•					
	NH 70	E27	0.98	•				•		•	•					
	NHT 70 /I	E27	0.98	integrated				•		•	•					
	NH 70 /HV/... 70 S	E27	0.98	•				•		•	•					
100 W	NH 100 F/HV/I	E40	1.20	integrated							•					
	NHT 100 /I	E40	1.20	integrated							•					
	NH 100 F	E40	1.20	•							•					
	NHT 100	E40	1.20	•							•					
150 W	NH 150 F/HV/I	E40	1.80	integrated				•			•					
	NHT 150 /I	E40	1.80	integrated				•			•					
	NH 150 ...	E40	1.80	•				•			•					•
	NHT 150 ...	E40	1.80	•				•			•					•
250 W	NHT 250 /I	E40	3.00	integrated							•				•	
	NHT 150 F/I	E40	3.00	integrated							•				•	
	NH 250 ...	E40	3.00	•							•				•	
	NHT 250 ...	E40	3.00	•							•				•	
400 W	NH 400 F/I	E40	4.45	integrated									•			
	NHT 400 /I	E40	4.60	integrated									•			
	NH 400 ...	E40	4.45	•									•			
	NHT 400 ...	E40	4.60	•									•			
1,000 W	NHT 1000 /I	E40	10.60	integrated											•	
	NHT 1000 /B	E40	4.70	•												
	NHT 1000 F/I	E40	10.60	integrated											•	
	NH 1000	E40	10.30	•											•	
	NHT 1000	E40	10.60	•											•	

Lamp matrix – High-pressure sodium lamps

High-pressure sodium lamps, 50 – 1,000 W Osram				$U_{\text{ign}} = 2.5 \text{ kV}$	$U_{\text{ign}} = 5.0 \text{ kV}$	$U_{\text{ign}} < 1 \text{ kV}$	ECM	ECIS	OMB	OMBS	OMBIS	OGL	OGLS	OGLI	OGLIS	OM PAK
Wattage	Description	Cap	Current A													
50 W	NAV E 50	E27	0.77	•						•						
	NAV E 50	E27	0.77	integrated						•						
	NAV T 50 SUPER 4Y	E27	0.80	•						•						
70 W	NAV E 70 I	E27	0.98	integrated				•		•	•					
	NAV E 70 ...	E27	0.98	•				•		•	•					
	NAV T 70 ...	E27	0.98	•				•		•	•					
	NAV-TS 70 SUPER 4Y	RX7s	0.98	•	•			•		•	•					•
100 W	NAV E 100 SUPER 4Y	E40	1.20		•					•	•					•
	NAV T 100 SUPER 4Y	E40	1.20		•					•	•					•
150 W	NAV E 150 ...	E40	1.80		•			•		•	•					•
	NAV T 150 ...	E40	1.80		•			•		•	•					•
	NAV T 150 W S TT	E40	1.80		•			•		•	•					•
	NAV TS 150 ...	RX7s	1.80		•			•		•	•					•
250 W	NAV E 250 ...	E40	3.00		•					•	•				•	
	NAV T 250 ...	E40	3.00		•					•	•				•	
	NAV T 250 W S TT	E40	3.00		•					•	•				•	
	NAV TS 250	Fc2	3.00		•					•	•				•	
400 W	NAV E 400 ...	E40	4.40		•								•			
	NAV T 400 ...	E40	4.40		•								•			
	NAV T 400 W S TT	E40	4.50		•								•			
	NAV TS 400 ...	Fc2	4.40		•								•			
600 W	NAV-T 600 SUPER 4Y	E40	6.20		•							•				
1,000 W	NAV E 1000	E40	10.30		•										•	
	NAV T 1000	E40	10.60		•										•	

HID magnetic chokes

Lamp matrix – High-pressure sodium lamps

High-pressure sodium lamps, 35 – 1,000 W Philips				U _{ign} = 2.5 kV	U _{ign} = 5.0 kV	U _{ign} < 1 kV	ECM	ECIS	OMB	OMBS	OMBIS	OGL	OGLS	OGLI	OGLIS	OM PAK
Wattage	Description	Cap	Current A													
35 W	SDW-T 35W	PG12-1	0.48	integrated					•							
50 W	SDW-T 50W	PG12-1	0.76	integrated					•							
	SON 50 W-I	E27	0.76	integrated						•						
	SON 50 W-E	E27	0.76		•					•						
	SON-T ... 50W	E27	0.75		•					•						
70 W	SON 70 W I	E27	0.98	integrated				•		•	•					
	SON 70 W ...	E27	0.98		•			•		•	•					
	SON 70 W-E	E27	0.98		•			•		•	•					
	SON-T plus 70 W ...	E27	1.00		•			•		•	•					
	SON-T Hg free 70 W ...	E27	0.98		•			•		•	•					
	SON Hg free 70 W ...	E27	0.98		•			•		•	•					
	SON-T 70 W ...	E27	0.98		•			•		•	•					
100 W	SDW-T 100 W	PG12-1	1.31	integrated					•							
	SON...100 W	E40	1.20			•					•					•
	SON-T...100 W	E40	1.20			•					•					•
	SON plus 100 W	E40	1.20			•					•					•
	SON-T plus 100 W	E40	1.20			•					•					•
	SON-T Hg free 100 W	E40	1.24			•					•					•
150 W	SON 150 W	E40	1.80			•			•		•					•
	SON-T 150 W	E40	1.80			•			•		•					•
	SON-E 150 W	E40	1.80			•			•		•					•
	SON Comfort 150 W	E40	1.82			•			•		•					•
	SON-T Comfort 150 W	E40	1.82			•			•		•					•
	SON-T plus 150 W	E40	1.80			•			•		•					•
	SON-T Hg free 150 W	E40	1.80			•			•		•					•
	SON Hg free 150 W	E40	1.80			•			•		•					•
	SON plus 150 W	E40	1.80			•			•		•					•
250 W	SON... 250 W	E40	3.00			•					•					•
	SON-T... 250 W	E40	3.00			•					•					•
400 W	SON... 400 W	E40	4.45			•							•			
	SON-T... 400 W	E40	4.60			•							•			
	SON-T AGRO	E40	4.13			•							•			
600 W	SON-T plus 600 W	E40	5.80			•							•			
1,000 W	SON 1000 W	E40	10.30			•										•
	SON-T 1000 W	E40	10.60			•										•

Lamp matrix – High-pressure sodium lamps

High-pressure sodium lamps, 50 – 1,000 W Radium				U _{ign} = 2.5 kV	U _{ign} = 5.0 kV	U _{ign} < 1 kV	ECM	ECIS	OMB	OMBS	OMBIS	OGL	OGLS	OGLI	OGLIS	OM PAK
Wattage	Description	Cap	Current A													
50 W	RNP-E 50 W/I	E27	0.76	integrated						•						
	RNP-E 50 W	E27	0.76	•						•						
70 W	RNP-E 70 W/I	E27	1.00	integrated				•			•					
	RNP-E 70 W	E27	1.00	•				•			•					
	RNP-T 70 W	E27	1.00	•				•			•					
	RNP-TS 70 W	RX7s	1.00	•	•			•			•					
150 W	RNP-E 150 ...	E40	1.80		•			•			•					•
	RNT-T 150 ...	E40	1.80		•			•			•					•
	RNT-TS 150 ...	RX7s	1.80		•			•			•					•
250 W	RNP-E 250 ...	E40	3.00		•						•				•	
	RNP-T 250 ...	E40	3.00		•						•				•	
400 W	RNP-E 400 W	E40	4.60		•								•			
	RNP-T 400 W	E40	4.60		•								•			
600 W	RNP-T 600 W	E40	6.20		•								•			
1,000 W	RNP-E 1000 W	E40	10.30		•										•	
	RNP-T 1000 W	E40	10.30		•										•	

HID magnetic chokes

Lamp matrix – High-pressure sodium lamps

High-pressure sodium lamps, 35 – 1,000 W Sylvania				$U_{\text{ign}} = 2.5 \text{ kV}$	$U_{\text{ign}} = 5.0 \text{ kV}$	$U_{\text{ign}} < 1 \text{ kV}$	ECM	ECIS	OMB	OMBS	OMBIS	OGL	OGLS	OGLI	OGLIS	OM PAK
Wattage	Description	Cap	Current A													
35 W	SHP-S 35 ...	E27	0.49	•				•			•					
	SHP-TS 35 W	E27	0.49	•				•			•					
50 W	SHP 50 W ...I	E27	0.76	integrated							•					
	SHP-S 50 W ...	E27	0.76	•						•						
	SHP-TS 50 W	E27	0.76	•						•						
70 W	SHP 70 W ...I	E27	1.00	integrated							•					
	SHP 70 W ...	E27	1.00	•				•		•	•					
	SHP-T 70 W ...	E27	1.00	•				•		•	•					
	SHP-TD 70 W ...	E27	1.00	•				•		•	•					
	SHP-TS 70 W ...	E27	1.00	•				•		•	•					
	SHP 70 W/CO-E	E27	0.98	•				•		•	•					
	SHP-S 70 W ...	E27	1.00	•				•		•	•					
100 W	SHP-S 100 W	E27/E40	1.20		•						•					•
	SHP-T 100 W	E40	1.20		•						•					•
	SHP-TS 100 W...	E40	1.20		•						•					•
150 W	LU 150 ... (100 V)	E40	1.80		•						•					•
	SHP-S 150 W ...	E40	1.80		•						•					•
	SHP-T 150 W ...	E40	1.80		•						•					•
	SHP-TD 150 W ...	E40	1.80		•						•					•
	SHP-TS 150 W ...	E40	1.80		•						•					•
250 W	LU 250 ... (S50)	E39	3.00		•						•					•
	SHP 250 W ...	E40	2.95		•						•					•
	SHP-S 250 W ...	E40	2.95		•						•					•
	SHP-T 250 W ...	E40	2.95		•						•					•
	SHP-TS 250 W ...	E40	2.95		•						•					•
400 W	LU 400 ... (S51)	E39	4.70		•								•			
	SHP 400 W ...	E40	4.50		•								•			
	SHP-T 400 W ...	E40	4.50		•								•			
	SHP-TS 400W Grolux	E40	4.00		•								•			
	SHP-TS 400 W ...	E40	4.50		•								•			
600 W	SHP-TS 600 W	E40	5.90		•								•			
	SHP-TS 600 W Grolux	E40	5.50		•								•			
1,000 W	LU 1000 (S52)	E39	4.70													
	SHP-T 1000 W ...	E40	10.60		•											•

Lamp matrix – Metal halide lamps

Metal halide lamps, 35 – 1,000 W BLV				U _{ign} = 2.5 kV	U _{ign} = 5.0 kV	U _{ign} < 1 kV	ECM	ECIS	OMB	OMBS	OMBIS	OGL	OGLS	OGLI	OGLIS	OM PAK
Wattage	Description	Cap	Current A													
35 W	C-HIT 35	G12	0.50		•						•					•
70 W	C-HIT 70 DE	RX7s	1.00		•						•					•
	C-HIT 70 WW	G12	1.00		•						•					•
	HIE ... 70 ...	E27	1.00		•						•					•
	HIE-P 70	E27	1.00		•						•					•
	HIT 70 DE	RX7s	1.00		•						•					•
100 W	MHR 100	plug	1.20		•						•					
	HIE 100	E27	1.20		•						•					
150 W	C-HIT 150 DE	RX7s	1.80		•						•					•
	C-HIT 150 WW	G12	1.80		•						•					•
	HIE 150	E27	1.80		•						•					•
	HIT 150	E40	1.80		•						•					•
	HIT 150 DE	RX7s	1.80		•						•					•
	MHR 150W	plug	1.80		•						•					•
250 W	HIT 250 ...	Fc2, E40	3.00		•						•				•	
400 W	HIT 400 ...	E40	4.60		•							•				
1,000 W	HIT 1000	E40	9.50		•										•	

HID magnetic chokes

Metal halide lamps, 35 – 2,000 W GE				U _{ign} = 2.5 kV	U _{ign} = 5.0 kV	U _{ign} < 1 kV	ECM	ECIS	OMB	OMBS	OMBIS	OGL	OGLS	OGLI	OGLIS	OM PAK
Wattage	Description	Cap	Current A													
35 W	CMH 35W/T	G12	0.50		•						•					•
	CMH 35W/TC	G8.5	0.50		•						•					•
	CMH 35W/PAR	E27	0.50		•						•					•
70 W	ARC 70W ...	RX7s	1.00		•						•					•
	CMH 70W/T ...	G12	1.00		•						•					•
	CMH 70W/TD ...	RX7s	1.00		•						•					•
	CMH 70W/T Mini	G8.5	1.00		•						•					•
	CMH 70W/PAR	E27	1.00		•						•					•
						•						•				
100 W	MXR 100W	E27	1.20		•						•					
	CMH 100W/C/U/830	E27	1.15		•						•					
150 W	ARC 150W ...	G12, RX7s	1.80		•						•					•
250 W	ARC 250W ...	Fc2, E40	2.15		•										•	
400 W	ARC 400W/D	E40	4.20		•							•				
	KRC 400W ...	E40	3.25		•				•		•					
2,000 W	MBIL 2000W	special	10.30		integrated									•		

Lamp matrix – Metal halide lamps

Metal halide lamps, 70 – 2,000 W Iwasaki				U _{ign} = 2.5 kV	U _{ign} = 5.0 kV	U _{ign} < 1 kV	ECM	ECIS	OMB	OMBS	OMBIS	OGL	OGLS	OGLI	OGLIS	OM PAK
Wattage	Description	Cap	Current A													
70 W	MT 70W Color Arc	E27	1.00	•				•			•					
	MHT 70W Color Arc	G12	1.00	•				•			•					
150 W	MT 150W Color Arc	E27	1.80	•							•					
	MT 150W CEH-W/BU	E27	1.80	•							•					
250 W	MT 250W	E40	3.00		•				•							
	MT 250W Color Arc	E40	3.00		•						•				•	
400 W	MT 400W	E40	3.25		•							•				
1,000 W	MT 1000W ...	E40	8.25		•							•			•	
2,000 W	MT 2000W B-BH-L	E40	8.80			•								•		

Metal halide lamps, 35 – 150 W Osram				U _{ign} = 2.5 kV	U _{ign} = 5.0 kV	U _{ign} < 1 kV	ECM	ECIS	OMB	OMBS	OMBIS	OGL	OGLS	OGLI	OGLIS	OM PAK
Wattage	Description	Cap	Current A													
35 W	HCI-T 35W ...	G12	0.53		•						•					•
	HQI-T 35W/WDL	G12	0.53		•						•					•
	HQI-T 35W/WDL/BU	G12	0.53		•						•					•
	HCI-TC 35W/WDL	G8.5	0.53		•						•					•
70 W	HQI-T 70W ...	G12	1.00		•						•					•
	HCI-T 70W	G12	1.00		•						•					•
	HQI-TS 70W ...	RX7s	1.00		•						•					•
	HCI-TS 70W	RX7s	1.00		•						•					•
	HQI-E 70W ...	E27	1.00		•						•					•
	HCI-T 70W/WDL	G12	1.00		•						•					•
	HCI-TC 70W/WDL	G8.5	1.00		•						•					•
	HCI-E/P70W/WDL	E27	1.00		•						•					•
HCI-PAR 30 70W/WDL	E27	1.00		•						•					•	
100 W	HQI-E 100W ...	E27	1.20		•						•					
150 W	HQI-T 150W ...	G12	1.80		•						•					•
	HCI-T 150W	G12	1.80		•						•					•
	HQI-TS 150W ...	RX7s-24	1.80		•						•					•
	HCI-TS 150W ...	RX7s-24	1.80		•						•					•
	HQI-E 150W ...	E27	1.80		•						•					•
	HTI 150W	plug	1.80		•						•					•
	HQI-R 150W ...	plug	1.80		•						•					•
HCI-E/P 150W/WDL	E27	1.80		•						•					•	

Lamp matrix – Metal halide lamps

Metal halide lamps, 250 – 3,500 W Osram				U _{ign} = 2.5 kV	U _{ign} = 5.0 kV	U _{ign} < 1 kV	ECM	ECIS	OMB	OMBS	OMBIS	OGL	OGLS	OGLI	OGLIS	OM PAK	
Wattage	Description	Cap	Current A														
250 W	HQI-E 250W/N/SI	E40	2.20			•			•								
	HQI-E 250W ...	E40	3.00		•						•				•		
	HQI-T 250W/N/SI	E40	2.20				•										
	HQI-T 250W ...	E40	3.00			•										•	
	HQI-TS 250W ...	Fc2	3.00			•										•	
	HCI-E 250W ...	E40	3.00			•						•				•	
	HQI-E/P 250W	E40	3.00			•						•				•	
400 W	HQI-E 400W/N/SI	E40	3.50			•			•			•					
	HQI-E 400W ...	E40	4.60			•							•				
	HQI-T 400W/N/SI	E40	3.50					•									
	HQI-T 400W ...	E40	4.60			•								•			
	HQI-TS 400W ...	Fc2	4.00			•								•			
	HQI-BT 400W	E40	4.00			•								•			
1,000 W	HQI-E 1000W ...	E40	9.50			•										•	
	HQI-T 1000W ...	E40	9.50			•										•	
	HQI-TM 1000W	G22	9.50			•										•	
	HQI-TS 1000W	K12s-36	9.50			•										•	
2,000 W	HQI-T 2000W/D	E40	10.30			•									•		
	HQI-T 2000W/D/I	E40	10.30			integrated									•		
	HQI-T 2000W/N	E40	8.80			integrated									•		
	HQI-T 2000W/N/230 V	E40	16.50			•						•					
	HQI-T 2000W/N/E/SUPER	E40	8.80			•									•		
	HQI-T 2000W/N/SN/SUPER	E40	9.40			•									•		
	HQI-TS 2000W/DS	cable	11.50			•									•		
	HQI-T 2000W/D/400/E40	E40	10.30			•									•		
	HQI-TS 2000W/D/S HF ^①	K12s-36	12.20			•									•		
	HQI-TS 2000W/N/L	K12s-36	10.30			•									•		
	HQI-TS 2000W/D/L	K12s-36	10.30			•									•		
3,500 W	HQI-T 3500W/D	E40	18.00			•								•			

^① on request

HID magnetic chokes

Lamp matrix – Metal halide lamps

Metal halide lamps, 35 – 250 W				U _{ign} = 2.5 kV	U _{ign} = 5.0 kV	U _{ign} < 1 kV	ECM	ECIS	OMB	OMBS	OMBIS	OGL	OGLS	OGLI	OGLIS	OM PAK
Wattage	Description	Cap	Current A													
35 W	CDM-R 35W	E27	0.53		•						•					•
	CDM-T 35W	G12	0.53		•						•					•
	CDM-TC 35W	G8.5	0.53		•						•					•
	CDM-R111	Gx5.5	0.53		•						•					•
70 W	MHN-T 70W	PG12-2	1.00		•			•			•					•
	MHN-TD 70W	RX7s	1.00		•			•			•					•
	MHW-TD 70W	RX7s	1.00		•			•			•					•
	CDM-TT 70W	E27	1.00	•				•			•					
	CDM-R 70W	E27	1.00		•			•			•					•
	CDM-ET 70W	E27	1.00	•				•			•					
	CDM-T 70W	G12	1.00		•			•			•					•
	CDM-TD 70W	RX7s	1.00		•			•			•					•
	CDM-TC 70W	G8.5	1.00		•			•			•					•
	CDO-ET 70W	E27	1.00	•				•			•					
	CDO-TT 70W	E27	1.00	•				•			•					
	CDM-Elite TC 70W	G8.5	1.00		•			•			•					•
	CDM-R111	Gx8.5	1.00		•			•			•					•
	100 W	CDO-TT 100W	E40	1.20		•						•				
CDO-ET 100W		E40	1.20		•						•					
150 W	CDM-T 150W ...	G12	1.80		•			•			•					•
	CDM-TD 150W	RX7s	1.80		•			•			•					•
	CDM-TT 150W	E40	1.80		•			•			•					•
	MHN-T 150W	RGx 12-2	1.80		•			•			•					•
	MHW-TD 150W	RX7s	1.80		•			•			•					•
	MHN-TD 150W	RX7s	1.80		•			•			•					•
	MHT-T 150W	RGx 12-2	1.80		•			•			•					•
	CDM-ET 150W	E40	1.80		•			•			•					•
	CDO-ET 150W	E40	1.80		•			•			•					
	CDO-TT 150W	E40	1.80		•			•			•					
250 W	HPI-T 250W	E40	2.15			•			•							
	HPI-T 250W	E40/E45	3.00		•				•			•				
	HPI plus 250W	E40	2.15			•			•							
	HPI plus 250W	E40	3.00			•					•				•	
	HPI-T plus 250W	E40	2.15		•	•			•							
	HPI-T plus 250W	E40	3.00		•						•				•	
	MHN-TD 250W	Fc2	3.00		•						•				•	

Lamp matrix – Metal halide lamps

Metal halide lamps, 400 – 2,000 W Philips				U _{ign} = 2.5 kV	U _{ign} = 5.0 kV	U _{ign} < 1 kV	ECM	ECIS	OMB	OMBS	OMBIS	OGL	OGLS	OGLI	OGLIS	OM PAK	
Wattage	Description	Cap	Current A														
400 W	HPI plus 400W	E40	3.40			•			•			•					
	HPI plus 400W	E40	3.85			•							•				
	HPI plus 400W BUS	E40	3.40	integrated					•				•				
	HPI plus 400W BUS	E40	3.85	integrated										•			
	HPI-T 400W	E40	3.40		•	•			•				•				
	HPI-T plus 400W	E40	3.40		•	•			•				•				
	HPI-T plus 400W	E40	3.85		•	•								•			
1,000 W	HPI-T 1000W	E40/E45	8.25			•						•			•		
2,000 W	HPI-T 2000W/230 V	E40/E45	16.50		•							•					
	HPI-T 2000W/380 V	E40/E45	8.80		•									•			
	MHN-TD 2000W	cable	9.60		•									•			
	MHT-TD 2000W	cable	9.60		•									•			
	MHN-SA 2000W	X830R	11.30		•									•			
	MHN-LA 2000W	X528/C	10.30		•									•			
	MHN-LA 2000W	X528/C	8.30		•									•			
	MHN-SA 1800W	(P)SFC	10.50		•									•			

HID magnetic chokes

Lamp matrix – Metal halide lamps

Metal halide lamps, 35 – 400 W				U _{ign} = 2.5 kV	U _{ign} = 5.0 kV	U _{ign} < 1 kV	ECM	ECIS	OMB	OMBS	OMBIS	OGL	OGLS	OGLI	OGLIS	OM PAK
Wattage	Description	Cap	Current A													
35 W	RCC-T 35W	G12	0.50		•						•					•
	RCC-TC 35W	G8.5	0.50		•						•					•
	RCC-PAR 35W	E27	0.50		•						•					•
	RCC-E/P 35W	E27	0.50		•						•					•
70 W	RCC-T 70W	G12	1.00		•			•			•					•
	RCC-E/P 70W	E27	1.00		•			•			•					•
	RCC-TS 70W	RX7s	1.00		•			•			•					•
	RCC-TC 70W	G8.5	1.00		•			•			•					•
	HRI-TS 70W	RX7s	1.00		•			•			•					•
	HRI-T 70W	G12	1.00		•			•			•					•
	HRI-E 70W	E27	1.00		•			•			•					•
100 W	RCC-E/P 100W	E27	1.10		•						•					•
	HRI-E 100W	E27	1.10		•						•					•
150 W	RCC-TS 150W	RX7s	1.80		•						•					•
	RCC-T 150W	G12	1.80		•						•					•
	RCC-E/P 150W	E27	1.80		•						•					•
	HRI-TS 150W	RX7s	1.80		•						•					•
	HRI-T 150W	G12	1.80		•						•					•
	HRI-E 150W	E27	1.80		•						•					•
250 W	RCC-TS 250W	Fc2	3.00		•						•				•	
	RCC-T 250W	E40	3.00		•						•				•	
	RCC-TM 250W	G22	3.00		•						•				•	
	RCC-E 250W	E40	3.00		•						•				•	
	HRI-TS 250W	Fc2	3.00		•						•				•	
	HRI-T 250W	E40	3.00		•						•				•	
	HRI-E/P 250W	E40	3.00		•						•				•	
	HRI-E 250W	E40	3.00		•						•				•	
	HRI-E 250W/N/SI	E40	2.20				•				•				•	
	HRI-T 250W/N/SI	E40	2.20				•				•				•	
400 W	HRI-TS 400W	Fc2	4.00		•								•			
	HRI-BT 400W	E40	4.00		•								•			
	HRI-E 400W	E40	4.60		•								•			
	HRI-E 400W/N/SI	E40	3.50				•						•			
	HRI-T 400W/N/SI	E40	3.50				•						•			

Lamp matrix – Metal halide lamps

Metal halide lamps, 1,000 – 3,500 W Radium				U _{ign} = 2.5 kV	U _{ign} = 5.0 kV	U _{ign} < 1 kV	ECM	ECIS	OMB	OMBS	OMBIS	OGL	OGLS	OGLI	OGLIS	OM PAK
Wattage	Description	Cap	Current A													
1,000 W	HRI-TS 1000W	K12s-36	9.50		•										•	
	HRI-T 1000W	E40	9.50		•										•	
	HRI-E 1000W	E40	9.50			•									•	
2,000 W	HRI-T 2000W/NSC/400V	E40	8.80		•										•	
	HRI-T 2000W/D/1	E40	10.30		integrated										•	
	HRI-T 2000W/N/1	E40	8.80		integrated										•	
	HRI-T 2000W/D/400/E40	E40	10.30			•									•	
	HRI-TS 2000W/.../S	K12s-36	10.30			•									•	
	HRI-TS 2000W/D/S HF ^①	K12s-36	12.20			•									•	
	HRI-TS 2000W/N/L	K12s-36	10.30			•									•	
	HRI-TS 2000W/D/L	K12s-36	10.30			•									•	
	HRI-TS 2000W/D	E40	10.30			•									•	
3,500 W	HRI-TS 3500W/D	E40	18.00		•									•		

^① on request

HID magnetic chokes

Lamp matrix – Metal halide lamps

Metal halide lamps, 70 – 2,000 W Sylvania				$U_{\text{ign}} = 2.5 \text{ kV}$	$U_{\text{ign}} = 5.0 \text{ kV}$	$U_{\text{ign}} < 1 \text{ kV}$	ECM	ECIS	OMB	OMBS	OMBIS	OGL	OGLS	OGLI	OGLIS	OM PAK
Wattage	Description	Cap	Current A													
70 W	HSI-MP 70W	E27	1.00		•			•			•					
	HSI-T 70W	G12	1.00		•			•			•					•
	HSI-TD 70W	RX7s	1.00		•			•			•					•
	CMI-T 70W/WDL	G12	0.98		•			•			•					•
100 W	HSI-MP 100W ...	E27	1.20		•						•					
	HSI-TD 100W ...	RX7s	1.20		•						•					
	MP 100W/CL	E27	1.15		•						•					
150 W	HSI-TD 150W ...	RX7s	1.80		•						•					•
	HSI-T 150W	G12	1.80		•						•					•
	CMI-T 150W/WDL	G12	1.80		•						•					•
	HSI-MP 150W/3K	E27	1.80		•						•					•
250 W	HSI-TD 250W ...	Fc2	3.00		•						•				•	
	HSI-T 250W/4K	E40	2.15			•		•								
	HSI-T 250W ...	E40	3.00		•						•				•	
400 W	HSI-T 400W/4K	E40	3.25					•				•				
	HSI-T 400W ...	Fc2	4.00		•								•			
1,000 W	HSI-T 1000W ...	E40	8.25									•			•	
	HSI-T 1000W/4K	E40	8.25		•							•			•	
2,000 W	HSI-T 2000W/380 V	E40	10.30		•									•		

Metal halide lamps, 70 – 400 W Venture				$U_{\text{ign}} = 2.5 \text{ kV}$	$U_{\text{ign}} = 5.0 \text{ kV}$	$U_{\text{ign}} < 1 \text{ kV}$	ECM	ECIS	OMB	OMBS	OMBIS	OGL	OGLS	OGLI	OGLIS	OM PAK
Wattage	Description	Cap	Current A													
70 W	HIE 70W/x/x	E27	1.00		•			•			•					
100 W	HIE 100W/C/U/LU3K	E27	1.20		•						•					
150 W	HIE 150W/x/x	RX7s	1.80		•						•					
	HIT 150W/U/LU/T38/4K	E27	1.80		•						•					
250 W	HIE 250W/x/x/EURO/x	E40	2.15			•		•								
	HIE 250W/x/x	E40	3.00		•			•								
400 W	HIE 400W/x/x/EURO/x	E40	3.20					•				•				
	HIE 400W/x	E40	4.00		•								•			

Compensation matrix

OM				Lamp current (A)	Lambda (A)	Capacitor (µF)	Mains current compensated (A)	EEI	Approvals
Article no.	Wattage (W)	Lamp type	Type						
HM chokes									
20824582	50	HM	OMB 50 A153K 230/240/50 030A066T	0.62	0.41	7.00	0.27	A3	ENEC, CE
22148672	50	HM	OMB 50 A504K 220-240/50 030A098T	0.62	0.41	7.00	0.27	A3	ENEC, CE
22148614	50	HM	OMB 50 A604K 220-240/50 030A098T	0.62	0.41	7.00	0.27	A3	ENEC, CE
20571079	80	HM	OMB 80 A103K 230/240/50 030A092T	0.80	0.49	8.00	0.43	A3	CE
20574671	80	HM	OMB 80 A106K 220-240/60 035A097T	0.80	0.45	8.00	0.43	na	CE
20824609	80	HM	OMB 80 A153K 230/240/50 030A066T	0.80	0.49	8.00	0.43	A3	ENEC, CE
22148710	80	HM	OMB 80 A504K 220-240/50 030A098T	0.80	0.49	8.00	0.43	A3	ENEC, CE
22175093	125	HM	OMB 125 A501K 230/50 045A113T	1.15	0.52	10.00	0.63	A3	ENEC, CE
22148711	125	HM	OMB 125 A504K 220-240/50 045A113T	1.15	0.52	10.00	0.63	A3	CE
22148596	125	HM	OMB 125 A604K 220-240/50 045A113T	1.15	0.52	10.00	0.63	A3	ENEC, CE
22175113	250	HM / HI	OMB 250 A500K 220/50 085A153T	2.15	0.55	18.00	1.25	na	ENEC, CE
22148712	250	HM / HI	OMB 250 A504K 220-240/50 085A153T	2.15	0.55	18.00	1.25	A2	ENEC, CE
22148598	250	HM / HI	OMB 250 A604K 220-240/50 085A153T	2.15	0.55	18.00	1.25	A2	ENEC, CE
22148860	400	HM / HI	OMB 400 A504K 220-240/50 120A188T	3.25	0.57	25.00	2.00	A2	ENEC, CE
22148615	400	HM / HI	OMB 400 A604K 220-240/50 120A188T	3.25	0.56	25.00	2.00	A2	ENEC, CE
20888680	400	HM / HI	OMB 400 B107K 220-240/60 150A212T	3.25	0.57	25.00	2.00	na	CE
HS chokes									
22148876	35	HS / HI	OMBIS 35 A504K 220-240/50 030A098T	0.53	0.37	6.00	0.22	A3	CE
22148862	35	HS / HI	OMBIS 35 A604W 220-240/50 030A098T	0.53	0.34	6.00	0.22	A3	ENEC, CE
20578455	35	HS / HI	OMBIS 35 B101W 230/50 035A097T	0.53	0.36	6.00	0.22	A3	ENEC, CE
20569782	35	HS / HI	OMBIS 35 B103W 230-250/50 035A097T	0.53	0.36	6.00	0.22	A3	ENEC, CE
20824173	35	HS / HI	OMBIS 35 B153W 230-250/50 035A071T	0.53	0.36	6.00	0.22	A3	ENEC, CE
22148600	35	HS / HI	OMBIS 35 B604W 220-240/50 035A103T	0.53	0.36	6.00	0.22	A3	ENEC, CE
20568096	70	HS / HI	OMBIS 70 A101W 230/50 045A107T	1.00	0.37	12.00	0.43	A3	ENEC, CE
20568074	70	HS / HI	OMBIS 70 A103W 230-250/50 045A107T	1.00	0.37	12.00	0.38	A3	ENEC, CE
20574788	70	HS / HI	OMBIS 70 A106W 220-240/60 045A107T	1.00	0.38	10.00	0.38	na	ENEC, CE
20824220	70	HS / HI	OMBIS 70 A153W 230-250/50 045A081T	1.00	0.37	12.00	0.38	A3	ENEC, CE
22148718	70	HS / HI	OMBIS 70 A504K 220-240/50 045A113T	1.00	0.37	12.00	0.43	A3	ENEC, CE
22148680	70	HS / HI	OMBIS 70 A504W 220-240/50 045A113T	1.00	0.37	12.00	0.43	A3	CE
22148623	70	HS / HI	OMBIS 70 A604K 220-240/50 045A113T	1.00	0.37	12.00	0.43	A3	ENEC, CE
22148601	70	HS / HI	OMBIS 70 A604W 220-240/50 045A113T	1.00	0.37	12.00	0.43	A3	ENEC, CE
20575741	70	HS / HI	OMBIS 70 B103W 230-250/50 055A117T	1.00	0.37	12.00	0.38	A3	ENEC, CE
22148804	70	HS / HI	OMBIS 70 B153W 230-250/50 055A091T	1.00	0.37	12.00	0.43	A3	ENEC, CE
22148602	70	HS / HI	OMBIS 70 B604W 220-240/50 055A123T	1.00	0.37	12.00	0.43	A3	ENEC, CE
20820295	70	HS / HI	OMBIS 70 C103W 230-250/50 065A127T	1.00	0.37	12.00	0.43	A3	CE
20824343	70	HS / HI	OMBIS 70 C153W 230-250/50 065A101T	1.00	0.37	12.00	0.43	A3	ENEC, CE
20568891	100	HS / HI	OMBIS 100 A103W 230-250/50 055A117T	1.20	0.40	12.00	0.55	A2	ENEC, CE
20574794	100	HS / HI	OMBIS 100 A106W 220-240/60 055A117T	1.20	0.39	10.00	0.55	na	ENEC, CE
22148805	100	HS / HI	OMBIS 100 A504W 220-240/50 055A123T	1.20	0.40	12.00	0.55	A2	ENEC, CE
22148604	100	HS / HI	OMBIS 100 A604W 220-240/50 055A123T	1.20	0.40	12.00	0.55	A2	ENEC, CE
20570572	100	HS / HI	OMBIS 100 C103W 230-250/50 075A137T	1.20	0.40	12.00	0.55	A2	ENEC, CE

Compensation matrix

OM				Lamp current (A)	Lambda (λ)	Capacitor (μF)	Mains current compensated (A)	EEI	Approvals
Article no.	Wattage (W)	Lamp type	Type						
HS chokes									
20568879	150	HS / HI	OMBIS 150 A103W 230-250/50 075A137T	1.80	0.42	20.00	0.80	A3	ENEC, CE
20571288	150	HS / HI	OMBIS 150 A106W 220-240/60 075A137T	1.80	0.40	16.00	0.80	na	ENEC, CE
20880440	150	HS / HI	OMBIS 150 A153W 230-250/50 075A111T	1.80	0.42	20.00	0.80	A3	CE
22148719	150	HS / HI	OMBIS 150 A504K 220-240/50 075A143T	1.80	0.42	20.00	0.85	A3	ENEC, CE
22148782	150	HS / HI	OMBIS 150 A504W 220-240/50 075A143T	1.80	0.42	20.00	0.85	A3	ENEC, CE
22148629	150	HS / HI	OMBIS 150 A604K 220-240/50 075A143T	1.80	0.42	20.00	0.85	A3	ENEC, CE
22148606	150	HS / HI	OMBIS 150 A604W 220-240/50 075A143T	1.80	0.42	20.00	0.80	A3	ENEC, CE
20568863	150	HS / HI	OMBIS 150 B103W 230-250/50 085A147T	1.80	0.40	20.00	0.85	A3	ENEC, CE
20824456	150	HS / HI	OMBIS 150 B151W 230/50 085A121T	1.80	0.40	20.00	0.85	A3	ENEC, CE
20824469	150	HS / HI	OMBIS 150 B153W 230-250/50 085A121T	1.80	0.40	20.00	0.80	A3	ENEC, CE
22148607	150	HS / HI	OMBIS 150 B604W 220-240/50 085A153T	1.80	0.40	20.00	0.80	A3	ENEC, CE
20824504	150	HS / HI	OMBIS 150 C153W 230-250/50 105A141T	1.80	0.40	20.00	0.80	A3	ENEC, CE
22175139	150	HS / HI	OMBIS 150 Z501K 230/50 065A133T	1.80	0.42	20.00	0.80	A3	CE
20824891	250	HS / HI	OMBIS 250 A153W 230-250/50 150A186T	3.00	0.40	32.00	1.35	A3	CE
22175116	250	HS / HI	OMBIS 250 Z502K 240/50 120A188T	3.00	0.40	32.00	1.35	na	CE
22175072	250	HS / HI	OMBIS 250 Z504K 220-240/50 120A188T	3.00	0.40	32.00	1.35	A3	CE
22175029	250	HS / HI	OMBIS 250 Z505K 220/50 120A188T	3.00	0.40	32.00	1.35	na	ENEC, CE
22149045	250	HS / HI	OMBIS 250 Z604W 220-240/50 120A188T	3.00	0.40	32.00	1.35	A3	ENEC, CE
20575656	250 1/2	HS / HI	OMBIS 1/2 250 B103W 230-250/50 085A147T	3.00	0.40	32.00	1.35	A3	ENEC, CE
HS chokes									
22175084	50	HS	OMBS 50 A604W 220-240/50 035A103T	0.76	0.35	10.00	0.30	A3	ENEC, CE
22148616	50	HS	OMBS 50 A604W 220-240/50 035A103T	0.76	0.35	10.00	0.30	A3	ENEC, CE
HS chokes with reinforced insulation									
22148980	35	HS / HI	OMBIS 35 A203D 230-250/50 030A092T	0.53	0.37	6.00	0.22	A3	ENEC, CE
22148982	70	HS / HI	OMBIS 70 A203D 230-250/50 045A107T	1.00	0.37	12.00	0.43	A3	ENEC, CE
22148985	70	HS / HI	OMBIS 70 A253D 230-250/50 045A081T	1.00	0.37	12.00	0.38	A3	ENEC, CE
22148971	100	HS / HI	OMBIS 100 A203D 230-250/50 055A117T	1.20	0.40	12.00	0.55	A2	ENEC, CE
22148972	150	HS / HI	OMBIS 150 A204D 220-240/50 075A137T	1.80	0.42	20.00	0.80	A3	CE
22148973	150	HS / HI	OMBIS 150 B253D 230-250/50 085A121T	1.80	0.41	20.00	0.80	A3	ENEC, CE
HM chokes with reinforced insulation and power tapping									
22148967	80/50	HM	OMB 80/50 A201B 230/50 035A097T	0.80 / 0.62	0.49 / 0.41	8.00	0.43	A3	ENEC, CE
22148968	80/50	HM	OMB 80/50 A211B 230/50 035A117T	0.80 / 0.62	0.49 / 0.41	8.00	0.43	A3	ENEC, CE
22148960	125/80	HM	OMB 125/80 A251B 230/50 055A091T	1.15 / 0.80	0.52 / 0.48	10.00	0.63	A3	ENEC, CE
HS chokes with reinforced insulation and power tapping									
22148992	50/35	HS	OMBS 50/35 A201D 230/50 045A107T	0.76 / 0.53	0.37 / 0.37	10.00	0.30	A3	ENEC, CE
22148993	50/35	HS	OMBS 50/35 A251D 230/50 045A081T	0.76 / 0.53	0.37 / 0.37	10.00	0.30	A3	ENEC, CE
22148994	70/50	HS	OMBS 70/50 A201D 230/50 055A117T	1.00 / 0.76	0.34 / 0.35	12.00	0.43	A3	ENEC, CE
22148996	70/50	HS	OMBS 70/50 A251D 230/50 055A091T	1.00 / 0.76	0.34 / 0.35	12.00	0.38	A3	ENEC, CE
22148988	100/70	HS	OMBS 100/70 A251D 230/50 065A101T	1.20 / 1.00	0.40 / 0.33	12.00	0.55	A3	ENEC, CE
22148989	150/100	HS	OMBS 150/100 A201D 230/50 105A167T	1.80 / 1.20	0.41 / 0.41	20.00	0.80	A3	ENEC, CE
22148990	150/100	HS	OMBS 150/100 A251D 230/50 105A141T	1.80 / 1.20	0.41 / 0.39	20.00	0.80	A3	ENEC, CE

Compensation matrix

OM				Lamp current (A)	Lambda (λ)	Capacitor (μF)	Mains current compensated (A)	EEI	Approvals
Article no.	Wattage (W)	Lamp type	Type						
HM chokes with power tapping									
20574609	80/50	HM	OMB 80/50 A103K 230-240/50 035A097T	0.80 / 0.62	0.49 / 0.41	8.00	0.43	A3	CE
20824624	80/50	HM	OMB 80/50 A153K 230/240/50 035A071T	0.80 / 0.62	0.49 / 0.41	8.00	0.43	A3	ENEC, CE
22148695	80/50	HM	OMB 80/50 A503K 230/240/50 035A103T	0.80 / 0.62	0.49 / 0.41	8.00	0.43	A3	ENEC, CE
22148595	80/50	HM	OMB 80/50 A603K 230/240/50 035A103T	0.80 / 0.62	0.49 / 0.41	8.00	0.43	A3	ENEC, CE
20574618	125/80	HM	OMB 125/80 A103K 230-240/50 055A117T	1.15 / 0.80	0.52 / 0.48	10.00	0.63	A3	ENEC, CE
22148671	125/80	HM	OMB 125/80 A503K 230/240/50 055A123T	1.15 / 0.80	0.52 / 0.48	10.00	0.63	A3	ENEC, CE
22158552	125/80	HM	OMB 125/80 A603K 230/240/50 055A123HL	1.15 / 0.80	0.52 / 0.48	10.00	0.63	A3	ENEC, CE
22148861	125/80	HM	OMB 125/80 Z603K 230/240/50 045A113T	1.15 / 0.80	0.57 / 0.50	10.00	0.63	A3	ENEC, CE
HS chokes with power tapping									
22118832	50/35	HS	OMBS 50/35 A603W 230/240/50 045A113PL	0.76 / 0.53	0.37	10.00	0.30	A3	ENEC, CE
20885000	70/50	HS	OMBS 70/50 A103W 230/240/50 055A117T	1.00 / 0.76	0.34 / 0.35	12.00	0.38	A3	ENEC, CE
22175085	70/50	HS	OMBS 70/50 A503W 230/240/50 055A123T	1.00 / 0.76	0.34 / 0.35	12.00	0.43	A3	ENEC, CE
22148603	70/50	HS	OMBS 70/50 A603W 230/240/50 055A123T	1.00 / 0.76	0.34 / 0.35	12.00	0.43	A3	ENEC, CE
22158510	70/50	HS	OMBS 70/50 Z603W 230/240/50 045A113T	1.00 / 0.76	0.38 / 0.34	12.00	0.38	A3	ENEC, CE
22148581	70/50	HS	OMBS 70/50 Z603W 230/240/50 045A113HL	1.00 / 0.76	0.38 / 0.34	12.00	0.38	A3	ENEC, CE
20885066	100/70	HS	OMBS 100/70 A153W 230/240/50 065A101T	1.20 / 1.00	0.40 / 0.33	12.00	0.55	A3	CE
22175086	100/70	HS	OMBS 100/70 A503W 230/240/50 065A133T	1.20 / 1.00	0.40 / 0.33	12.00	0.55	A3	CE
22148605	100/70	HS	OMBS 100/70 A603W 230/240/50 065A133T	1.20 / 1.00	0.40 / 0.33	12.00	0.55	A3	ENEC, CE
20885094	150/100	HS	OMBS 150/100 A103W 230/240/50 105A167T	1.80 / 1.20	0.41 / 0.39	20.00	0.80	A3	ENEC, CE
20885109	150/100	HS	OMBS 150/100 A153W 230/240/50 105A141T	1.80 / 1.20	0.41 / 0.39	20.00	0.80	A3	ENEC, CE
22175087	150/100	HS	OMBS 150/100 A503W 230/240/50 105A173T	1.80 / 1.20	0.41 / 0.39	20.00	0.80	A3	CE
22148608	150/100	HS	OMBS 150/100 A603W 230/240/50 105A173T	1.80 / 1.20	0.41 / 0.39	20.00	0.80	A3	ENEC, CE
HS chokes with pulser tapping									
22148609	35	HS / HI	OMBIS 35 PB503W 230/240/50 035A103T	0.53	0.36	6.00	0.22	A3	ENEC, CE
22158567	50	HS	OMBS 50 PA503W 230/240/50 035A103	0.76	0.35	10.00	0.30	A3	CE
22158564	70	HS	OMBS 70 PA503W 230/240/50 045A113HL	1.00	0.37	12.00	0.43	A3	ENEC, CE
22148611	70	HS	OMBS 70 PA503W 230/240/50 045A113T	1.00	0.37	12.00	0.38	A3	ENEC, CE
22158576	70	HI	OMBI 70 PA503W 230/240/50 045A113HL	1.00	0.37	12.00	0.43	A3	CE
22148610	70	HI	OMBI 70 PA503W 230/240/50 045A113T	1.00	0.37	12.00	0.43	A3	ENEC, CE
22148612	100	HS / HI	OMBIS 100 PA503W 230/240/50 055A123T	1.20	0.40	12.00	0.55	A2	ENEC, CE
22158566	100	HS / HI	OMBIS 100 PA503W 230/240/50 055A123HL	1.20	0.40	12.00	0.55	A2	ENEC, CE
22149207	150	HS / HI	OMBIS 150 PA503W 230/240/50 075A143HL	1.80	0.42	20.00	0.85	A3	ENEC, CE
22148613	150	HS / HI	OMBIS 150 PB503W 230/240/50 085A153T	1.80	0.40	20.00	0.80	A3	ENEC, CE
22158565	150	HS / HI	OMBIS 150 PB503W 230/240/50 085A153HL	1.80	0.40	20.00	0.85	A3	ENEC, CE
22149230	250	HS / HI	OMBIS 250 PZ503W 230/240/50 120A188HL	3.00	0.40	32.00	1.35	A3	CE
Chokes for SON-SDW lamps									
20823181	35	HS	OMB SDW 35 B153W 220-240/50 035A071T	0.48	0.36	6.00	0.19	A2	ENEC, CE
20881229	50	HS	OMB SDW 50 B153W 220-240/50 040A076T	0.78	0.33	8.00	0.30	A3	CE
20823207	100	HS	OMB SDW 100 B153W 220-240/50 075A111T	1.35	0.36	14.00	0.55	A3	ENEC, CE

Compensation matrix

OG				Lamp current (A)	Lambda (λ)	Capacitor (μF)	Mains current compensated (A)	EEI	Approvals
Article no.	Wattage (W)	Lamp type	Type						
HM chokes									
20296024	250	HM	OGL 250W 30 220-240/50 030A084	2.15	0.55	18.00	1.25	A2	ENEC, CE
89121845	400	HM	OGL 400 C044K 220-240/50 040V130PL	3.25	0.57	25.00	2.00	A2	ENEC, CE
20296030	400	HM	OGL 400W 40 220-240/50 040A094	3.25	0.55	25.00	2.00	A2	ENEC, CE
20294541	700	HM	OGL 700W 80 220-240/50 080A134	5.40	0.59	40.00	3.60	A2	ENEC, CE
20295043	1,000	HM	OGL 1000W 120 220-240/50 120B174	7.50	0.61	60.00	4.60	A2	ENEC, CE
HI chokes									
20295037	2,000	HI	OGLI 2000W 160 380-415/50 160B214	8.80	0.59	37.00	6.00	na	ENEC, CE
20566616	2,000	HI	OGLI 2000W 180 380-415/50 180B234	10.30	0.51	60.00	6.00	na	CE
20563406	2,000	HI	OGLI 2000W 180 380-415/60 180B234VG	10.30	0.53	60.00	6.00	na	ENEC, CE
20882285	2,000	HI	OGLI 2000W 210 380-420/50 210B268HL	10.30	0.56	60.00	6.00	na	ENEC, CE
HS chokes									
89121836	250	HS / HI	OGLIS 250 C044W 220-240/50 040V130PL	3.00	0.39	32.00	1.35	A2	ENEC, CE
20562752	250	HS / HI	OGLIS 250W 40 230-250/50 040A094 TP	3.00	0.39	32.00	1.35	A2	ENEC, CE
89121840	400	HS / HI	OGLS 400 C044W 220-240/50 060V150	4.45	0.41	50.00	1.97	A2	ENEC, CE
20820138	400	HS / HI	OGLS 400W 60 220-240/50 060A114 TP	4.45	0.41	50.00	1.97	A2	CE
20565518	400	HS / HI	OGLS 400W 60 220-240/60 060A114	4.45	0.42	50.00	1.00	na	ENEC, CE
89121976	600	HS	OGLS 600 A046W 380-415/50 080V170	3.60	0.47	20.00	1.76	na	CE
22175019	600	HS	OGLS 600 A026W 380-415/50 080A134	3.60	0.47	20.00	1.76	na	CE
20821091	600	HS	OGLS 600W 80 220-240/60 080A134	6.20	0.42	60.00	3.10	na	ENEC, CE
20882197	600	HS	OGLS 600W 100 220-240/50 100B154 TP	6.20	0.43	60.00	3.10	A2	ENEC, CE
22148490	1,000	HS / HI	OGLIS 1000 A024W 220-240/50 140A194	10.30	0.45	85.00	5.10	A2	ENEC, CE
20880891	1,000	HS / HI	OGLIS 1000W 140 220-240/60 140B194	10.30	0.43	100.00	5.10	na	CE
HS chokes with reinforced insulation									
22149035	250	HS / HI	OGLIS 250 C203D 230-250/50 040A094	3.00	0.39	32.00	1.35	A2	ENEC, CE
22149038	400	HS / HI	OGLS 400 C203D 230-250/50 060A114	4.45	0.37	50.00	1.97	A2	ENEC, CE
HS chokes with power tapping									
89121864	250/150	HS	OGLS 250/150 C043W 230/240/50 060V150	3.00 / 1.80	0.37 / 0.41	32.00	1.35	A2	ENEC, CE
89121865	400/250	HS	OGLS 400/250 C043W 230/240/50 080V170	4.45 / 3.00	0.38 / 0.36	50.00	1.97	A2	ENEC, CE
HS chokes with pulser tapping									
22149231	250	HS / HI	OGLIS 250 PC023W 230/240/50 040A094	3.00	0.39	32.00	1.35	A3	CE
89121873	400	HS / HI	OGLS 400 PC043W 230/240/50 060V150HL	4.45	0.41	45.00	2.10	A2	ENEC, CE
89121866	400	HI	OGLI 400 PC043W 230/240/50 050V140	4.45	0.46	35.00	2.10	A2	ENEC, CE
22148645	1,000	HS / HI	OGLIS 1000 PC023W 230/240/50 180B234HL	10.30	0.43	100.00	5.10	A2	ENEC, CE
22175007	2,000	HI	OGLI 2000 PC026K 380/400/50 210B268HL	10.30	0.47	37.00	6.00	na	CE
22175009	2,000	HI	OGLI 2000 PC027K 360-400/50 210B268VGH	10.30	0.63	37.00	6.00	na	CE
EC									
Article no.	Wattage (W)	Lamp type	Type	Lamp current (A)	Lambda (λ)	Capacitor (μF)	Mains current compensated (A)	EEI	Approvals
HM chokes									
20569741	50	HM	ECM 50 A90 230/50 090A165	0.62	0.45	7.00	0.27	A3	ENEC, CE
22175043	80	HM	ECM 80 A140 230/50 140A231	0.80	0.51	8.00	0.43	A3	CE
HS chokes									
20566187	35	HS / HI	ECIS 35 C90 230-250/50 090B165 TP	0.53	0.40	6.00	0.22	A3	ENEC, CE
20566335	70	HS / HI	ECIS 70 A140 230-250/50 140B215 TP	1.00	0.35	12.00	0.38	A3	ENEC, CE

Magnetic chokes for high-intensity discharge lamps

EC, OM and OG magnetic chokes from Tridonic are robust and extremely cost-effective solutions with long lives. In these chokes the impedance is matched to the particular lamp type so mercury vapour lamps, sodium lamps and metal halide lamps are guaranteed to operate according to the manufacturers' specifications and achieve their maximum luminous flux.

Mercury vapour lamps are operated with chokes without additional ignitors. There is also no need for thermal protection as there is no rectifier effect when the lamps come to the end of their lives.

Apart from a choke, sodium lamps – like most metal halide lamps without integrated starters – need an ignitor to provide the ignition pulse to start them. Because of the rectifier effect when the lamp comes to the end of its life the chokes have to have thermal protection.

The EC, OM and OG chokes are characterised by extremely low power consumption, compact windings and minimal leakage field – and therefore very low noise. The result is a high level of efficiency. Small dimensions and high-quality materials complement their application-related properties.

Application-oriented design

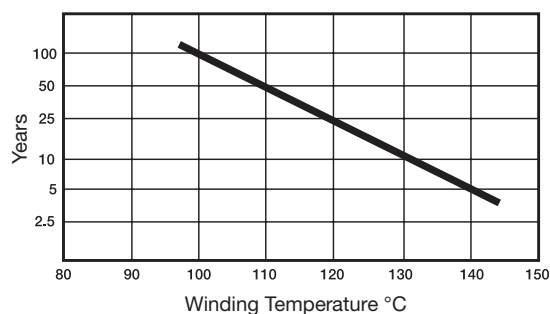
Magnetic chokes from Tridonic are available in single or multi-voltage versions. With up to three voltage taps in the OM family and up to five in the OG series there are major benefits for luminaire manufacturers because luminaires equipped with these chokes can be used for different mains voltages in different countries.

Chokes with pulse taps are optimised to operate in conjunction with pulse ignitors from Tridonic. These chokes supply very high ignition energy and are also designed for high ignition voltage, resulting in high levels of reliability. Chokes with power taps are suitable for street lighting that switch at certain times to energy-saving settings.

Chokes with reinforced insulation for protection class II luminaires have compact designs because Tridonic uses high-quality insulation inside the core. All the versions have a reversible thermal protector rated at 155 °C and a thermal cutout that triggers at 214 °C. The cutout is located in the chokes to ensure reliable thermal contact and rapid triggering.

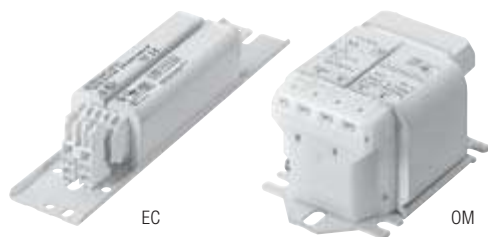
Design for long life

Because of their high-quality insulation material, coil core and copper wire, chokes in the EC, OM and OG series from Tridonic achieve a maximum life of approximately 100,000 hours of operation, in other words about ten years of constant use at a winding temperature of 130 °C ($t_w = 130$ °C). The winding temperature is the ambient temperature plus the increase in temperature due to the power consumption of the unit. A change in temperature of 10 °C down or up leads to a doubling or halving of the life of the unit.



Constant high quality

Consistent high quality and reliability of magnetic chokes from Tridonic is guaranteed by the use of high-grade materials together with manufacturing processes certified to ISO 9001. Fully automatic manufacture also ensures constant reproducible quality. All the chokes are subjected to 100 % final testing and safety testing.

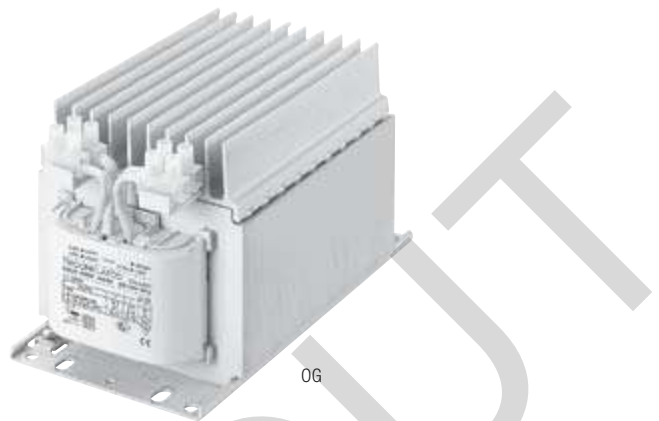


Type series EC

Because of their small dimensions (41 x 31 mm), magnetic chokes of type series EC are particularly useful if they have to be installed in small cross-sections, such as tube systems. The range covers the operation of high-intensity discharge lamps with wattages up to 150 W. EC units are available with a core length of 90 to 160 mm and with either screw or plug-in terminals.

Type series OM

Magnetic chokes in the OM series are suitable for operating mercury vapour lamps, sodium lamps and metal halide lamps with wattages from 35 to 400 W. Their compact design makes them ideal for stylish luminaires. The plug-in terminals enable connections to be made quickly and reliably; voltage taps are also easy to select. Versions with various footplates and different mounting options are also available. The cross-section of the OM series is 65 x 47 mm for core lengths of 30 to 150 mm.



Type series OG

Chokes in the OG series are suitable for high-intensity discharge lamps in the high-wattage range from 250 to 3,500 W. With a width of 107 mm, a height of 78, 90 or 106 mm and core lengths between 30 and 210 mm, the OG units are designed for high efficiency and low self-heating. The screw terminals are suitable for wire cross-sections from 1 to 4 mm² and from 1 to 6 mm².

Standards and approval marks

Magnetic chokes for HID lamps from Tridonic are ENEC certified, carry the CE mark and meet all the relevant European as well as international standards relating to safety, operation and electro-magnetic compatibility (EMC).

Lamp matrix

Which control gear for which lamp?
The latest lamp matrix is available on the internet: www.tridonic.com, menu "Technical data", submenu "Lamp matrix"

Technical information

The latest technical information is available on the internet at: www.tridonic.com, menu "Technical data", submenu "Data sheets"

Supply units for high-intensity discharge lamps

The OM PAK supply units from Tridonic combine choke, ignitor, p.f. correction capacitor and terminals in a compact casing. These independent units in protection class II are very easy to install. No tools are needed at all, so they save an enormous amount of time on site.

All the supply units for operating metal halide lamps or sodium lamps are temperature-protected and are suitable for mounting on normally flammable material (fire category F). The units are preset at the factory for maximum possible voltage tapping. This can be adjusted to the actual supply voltage without the need for any tools.

The robust design also means that the units can be used at high ambient temperatures (t_a). The compact casing design results in exceptionally quiet operation.

The supply units are available with or without pre-wired lamp cables. Screwless terminals make it easier to connect to the mains. Quick fastening of the terminal covers and tool-less cable clamps add-up to efficient installation.

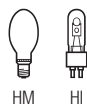


The ignitors used are an essential quality feature of the OM PAK series from Tridonic. There is a choice of two superimposed-pulse ignitors – the successful standard ZRM ES/C ignitor or the ZRM/CT ignitor with digital timer and pulse-pause operation.

With these different versions Tridonic presents a rounded application-oriented range of OM PAK supply units ensuring that high-intensity discharge lamps are operated in accordance with manufacturers' specifications.



OM PAK 70 B533



OMB 50 – 400 W OM PRO, push-in terminal

High-pressure mercury and metal halide lamps

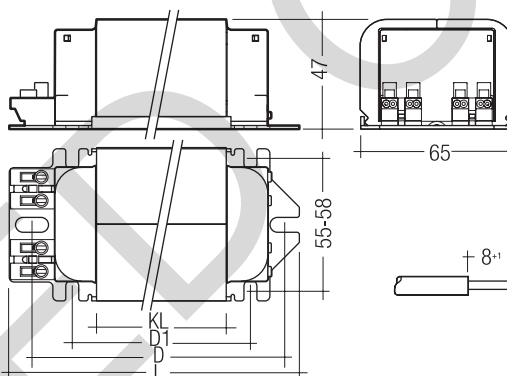
Product description

- Magnetic ballast
- For mercury vapour lamps and metal halide lamps
- Chokes with reversible thermal cutout: trigger temperature 155 °C
- Additional types on request

→ For product data sheet go to www.tridonic.com,
or available on request

Technical data

Max. winding temperature tw	130 °C
Push-in terminal	0.5 – 1.5 mm ²



→ Lamp matrix, page 8

→ Compensation matrix, page 23

→ Suitable ignitors, page 58

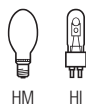
→ Wiring diagrams and installation examples, page 59

Ordering data

Type	Article number	Packaging, carton	Packaging, pallet	Weight per pcs.
Ballasts in standard design				
OMB 50 A604K 220-240/50 030A098T	22148614	10 pieces	480 pieces	0.80 kg
OMB 125 A604K 220-240/50 045A113T	22148596	10 pieces	480 pieces	1.20 kg
OMB 250 A604K 220-240/50 085A153T	22148598	10 pieces	480 pieces	2.00 kg
OMB 400 A604K 220-240/50 120A188T	22148615	6 pieces	240 pieces	2.80 kg
Ballasts with power tapping				
OMB 80/50 A603K 230/240/50 035A103T	22148595	10 pieces	480 pieces	0.90 kg
OMB 125/80 A603K 230/240/50 055A123HL	22158552	315 pieces	315 pieces	1.37 kg
OMB 125/80 Z603K 230/240/50 045A113T	22148861	10 pieces	480 pieces	1.14 kg

Specific technical data

Lamp wattage	Lamp type	Rated lamp current	Type	Article number	Voltage	Mains frequency	EEL	Thermal protection	Length L	Fixing dimensions		Core length KL	ΔT	Losses
										Hole spacing D	Hole spacing D1			
Ballasts in standard design														
50 W	HM / HI	0.62 A	OMB 50 A604K	22148614	220 / 230 / 240 V	50 Hz	A3	no	98 mm	75 – 84 mm	50.5 mm	30 mm	60 K	8.6 W
125 W	HM	1.15 A	OMB 125 A604K	22148596	220 / 230 / 240 V	50 Hz	A3	no	113 mm	90 – 99 mm	65.5 mm	45 mm	65 K	12.4 W
250 W	HM / HI	2.15 A	OMB 250 A604K	22148598	220 / 230 / 240 V	50 Hz	A2	no	153 mm	130 – 139 mm	105.5 mm	85 mm	70 K	22.1 W
400 W	HM / HI	3.25 A	OMB 400 A604K	22148615	220 / 230 / 240 V	50 Hz	A2	no	188 mm	165 – 174 mm	140.5 mm	120 mm	75 K	35.4 W
Ballasts with power tapping														
80 / 50 W	HM	0.80 / 0.62 A	OMB 80/50 A603K	22148595	230 / 240 V	50 Hz	A3	no	103 mm	80 – 89 mm	55.5 mm	35 mm	70 / 50 K	11.6 / 8.8 W
125 / 80 W	HM	1.15 / 0.80 A	OMB 125/80 A603K	22158552	230 / 240 V	50 Hz	A3	no	123 mm	100 – 109 mm	75.5 mm	55 mm	60 / 40 K	14.6 / 9.3 W
125 / 80 W	HM	1.15 / 0.80 A	OMB 125/80 Z603K	22148861	230 / 240 V	50 Hz	A3	no	113 mm	90 – 99 mm	65.5 mm	45 mm	85 / 60 K	17.5 / 10.4 W



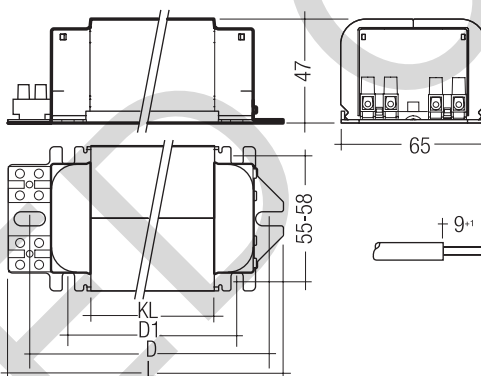
OMB 50 – 400 W OM PRO, screw terminal
High-pressure mercury and metal halide lamps

Product description

- Magnetic ballast
 - For mercury vapour lamps and metal halide lamps
 - Chokes with reversible thermal cutout: trigger temperature 155 °C
 - Additional types on request
- For product data sheet go to www.tridonic.com, or available on request

Technical data

Max. winding temperature tw	130 °C
Screw terminal	0.75 – 2.5 mm ²



Lamp matrix, page 8

Compensation matrix, page 23

Suitable ignitors, page 58

Wiring diagrams and installation examples, page 59

Ordering data

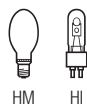
Type	Article number	Packaging, carton	Packaging, pallet	Weight per pcs.
Ballasts in standard design				
OMB 50 A504K 220-240/50 030A098T	22148672	10 pieces	480 pieces	0.85 kg
OMB 80 A504K 220-240/50 030A098T	22148710	10 pieces	480 pieces	0.82 kg
OMB 125 A501K 230/50 045A113T	22175093	10 pieces	480 pieces	1.18 kg
OMB 125 A504K 220-240/50 045A113T	22148711	10 pieces	480 pieces	1.18 kg
OMB 250 A500K 220/50 085A153T	22175113	10 pieces	240 pieces	2.04 kg
OMB 250 A504K 220-240/50 085A153T	22148712	10 pieces	240 pieces	2.04 kg
OMB 400 A504K 220-240/50 120A188T	22148860	6 pieces	240 pieces	2.77 kg
Ballasts with power tapping				
OMB 80/50 A503K 230/240/50 035A103T	22148695	10 pieces	480 pieces	0.95 kg
OMB 125/80 A503K 230/240/50 055A123T	22148671	10 pieces	480 pieces	1.37 kg

Specific technical data

Lamp wattage	Lamp type	Rated lamp current	Type	Article number	Voltage	Mains frequency	EEL	Thermal protection	Length L	Fixing dimensions		Core length KL	ΔT	Losses
										Hole spacing D	Hole spacing D1			
Ballasts in standard design														
50 W	HM	0.62 A	OMB 50 A504K	22148672	220 / 230 / 240 V	50 Hz	A3	no	98 mm	77 – 88 mm	50.5 mm	30 mm	60 K	8.6 W
80 W	HM	0.80 A	OMB 80 A504K	22148710	220 / 230 / 240 V	50 Hz	A3	no	98 mm	75 – 84 mm	50.5 mm	30 mm	65 K	11.8 W
125 W	HM	1.15 A	OMB 125 A501K	22175093	230 V	50 Hz	A3	no	113 mm	90 – 99 mm	65.5 mm	45 mm	60 K	12.3 W
125 W	HM	1.15 A	OMB 125 A504K	22148711	220 / 230 / 240 V	50 Hz	A3	no	113 mm	90 – 99 mm	65.5 mm	45 mm	65 K	13.6 W
250 W	HM / HI	2.15 A	OMB 250 A500K	22175113	220 V	50 Hz	–	no	153 mm	130 – 139 mm	105.5 mm	85 mm	70 K	19.5 W
250 W	HM / HI	2.15 A	OMB 250 A504K	22148712	220 / 230 / 240 V	50 Hz	A2	no	153 mm	130 – 139 mm	105.5 mm	85 mm	70 K	21.7 W
400 W	HM / HI	3.25 A	OMB 400 A504K	22148860	220 / 230 / 240 V	50 Hz	A2	no	188 mm	165 – 174 mm	140.5 mm	120 mm	75 K	35.4 W
Ballasts with power tapping														
80 / 50 W	HM	0.80 / 0.62 A	OMB 80/50 A503K	22148695	230 / 240 V	50 Hz	A3	no	103 mm	80 – 89 mm	55.5 mm	35 mm	70 / 50 K	11.6 / 8.8 W
125 / 80 W	HM	1.15 / 0.80 A	OMB 125/80 A503K	22148671	230 / 240 V	50 Hz	A3	no	123 mm	100 – 109 mm	75.5 mm	55 mm	60 / 40 K	14.6 / 9.3 W



Only for devices with double insulation:



OMB 50 – 400 W Vario 6-point

High-pressure mercury and metal halide lamps

Product description

- Magnetic ballast
 - For mercury vapour lamps and metal halide lamps
 - Chokes with reversible thermal cutout: trigger temperature 155 °C
 - Device with double insulation:
 - irreversible thermal cutout, trigger temperature 214 °C
 - Additional types on request
- For product data sheet go to www.tridonic.com, or available on request

Technical data

Max. winding temperature tw	130 °C
Push-in terminal	0.75 – 2.5 mm ²

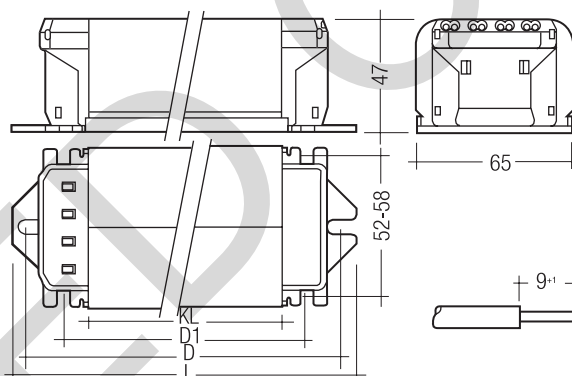


Lamp matrix, page 8

Compensation matrix, page 23

Suitable ignitors, page 58

Wiring diagrams and installation examples, page 59



Ordering data

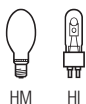
Type	Article number	Packaging, carton	Packaging, pallet	Weight per pcs.
Ballasts in standard design				
OMB 80 A103K 230/240/50 030A092T	20571079	10 pieces	480 pieces	0.8 kg
Ballasts with power tapping				
OMB 80/50 A103K 230/240/50 035A097T	20574609	10 pieces	480 pieces	0.9 kg
OMB 125/80 A103K 230/240/50 055A117T	20574618	10 pieces	480 pieces	1.4 kg
Ballasts with double insulation and power tapping				
OMB 80/50 A201B 230/50 035A097T	22148967	10 pieces	480 pieces	0.6 kg
OMB 80/50 A211B 230/50 035A117T	22148968	10 pieces	480 pieces	0.9 kg
Ballasts for 60 Hz				
OMB 80 A106K 220-240/60 035A097T	20574671	10 pieces	480 pieces	0.8 kg
OMB 400 B107K 220-240/60 150A212T	20888680	6 pieces	240 pieces	3.4 kg

Specific technical data

Lamp wattage	Lamp type	Rated lamp current	Type	Article number	Voltage	Mains frequency	EEL	Thermal protection	Length L	Fixing dimensions		Core length KL	ΔT	Losses
										Hole spacing D	Hole spacing D1			
Ballasts in standard design														
80 W	HM	0.80 A	OMB 80 A103K	20571079	230 / 240 V	50 Hz	A3	no	92 mm	75 – 84 mm	50.5 mm	30 mm	65 K	11.4 W
Ballasts with power tapping														
80 / 50 W	HM	0.80 / 0.62 A	OMB 80/50 A103K	20574609	230 / 240 V	50 Hz	A3	no	97 mm	80 – 89 mm	55.5 mm	35 mm	70 / 50 K	11.6 / 8.8 W
125 / 80 W	HM	1.15 / 0.80 A	OMB 125/80 A103K	20574618	230 / 240 V	50 Hz	A3	no	117 mm	100 – 109 mm	75.5 mm	55 mm	70 / 50 K	14.2 / 8.9 W
Ballasts with double insulation and power tapping														
80 / 50 W	HM	0.80 / 0.62 A	OMB 80/50 A201B	22148967	230 V	50 Hz	A3	yes	97 mm	80 – 89 mm	55.5 mm	35 mm	70 / 65 K	11.1 / 8.4 W
80 / 50 W	HM	0.80 / 0.62 A	OMB 80/50 A211B	22148968	230 V	50 Hz	A3	yes	117 mm	100 – 109 mm	75.5 mm	35 mm	65 / 50 K	11.1 / 8.4 W
Ballasts for 60 Hz														
80 W	HM	0.80 A	OMB 80 A106K	20574671	220 / 230 / 240 V	60 Hz	–	no	92 mm	75 – 84 mm	50.5 mm	30 mm	65 K	10.5 W
400 W	HM / HI	3.25 A	OMB 400 B107K	20888680	220 / 230 / 240 V	60 Hz	–	no	212 mm	195 – 204 mm	170.5 mm	150 mm	65 K	25.4 W



Only for devices with double insulation:



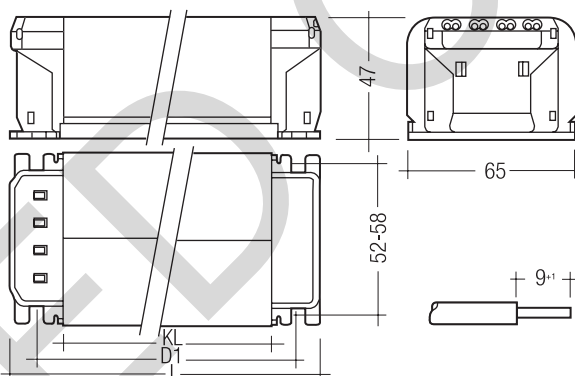
OMB 50 – 400 W Vario 4-point
High-pressure mercury and metal halide lamps

Product description

- Magnetic ballast
 - For mercury vapour lamps and metal halide lamps
 - Chokes with reversible thermal cutout: trigger temperature 155 °C
 - Device with double insulation: irreversible thermal cutout, trigger temperature 214 °C
 - Additional types on request
- For product data sheet go to www.tridonic.com, or available on request

Technical data

Max. winding temperature tw	130 °C
Push-in terminal	0.75 – 2.5 mm ²



Lamp matrix, page 8

Compensation matrix, page 23

Suitable ignitors, page 58

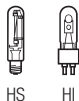
Wiring diagrams and installation examples, page 59

Ordering data

Type	Article number	Packaging, carton	Packaging, pallet	Weight per pcs.
Ballasts in standard design				
OMB 50 A153K 230/240/50 030A066T	20824582	10 pieces	480 pieces	0.8 kg
OMB 80 A153K 230/240/50 030A066T	20824609	10 pieces	480 pieces	0.8 kg
Ballasts with power tapping				
OMB 80/50 A153K 230/240/50 035A071T	20824624	10 pieces	480 pieces	0.9 kg
Ballasts with double insulation and power tapping				
OMB 125/80 A251B 230/50 055A091T	22148960	480 pieces	480 pieces	1.3 kg

Specific technical data

Lamp wattage	Lamp type	Rated lamp current	Type	Article number	Voltage	Mains frequency	EEL	Thermal protection	Length L	Fixing dimensions Hole spacing D1	Core length KL	ΔT	Losses
Ballasts in standard design													
50 W	HM / HI	0.62 A	OMB 50 A153K	20824582	230 / 240 V	50 Hz	A3	no	66 mm	50.5 mm	30 mm	60 K	8.6 W
80 W	HM	0.80 A	OMB 80 A153K	20824609	230 / 240 V	50 Hz	A3	no	66 mm	50.5 mm	30 mm	65 K	11.4 W
Ballasts with power tapping													
80 / 50 W	HM	0.80 / 0.62 A	OMB 80/50 A153K	20824624	230 / 240 V	50 Hz	A3	no	71 mm	55.5 mm	35 mm	70 / 50 K	11.6 / 8.8 W
Ballasts with double insulation and power tapping													
125 / 80 W	HM	1.15 / 0.80 A	OMB 125/80 A251B	22148960	230 V	50 Hz	A3	yes	91 mm	75.5 mm	55 mm	60 / 40 K	13.1 / 8.3 W

**OMBIS 35 – 150 W OM PRO, push-in terminal**

High-pressure sodium and metal halide lamps

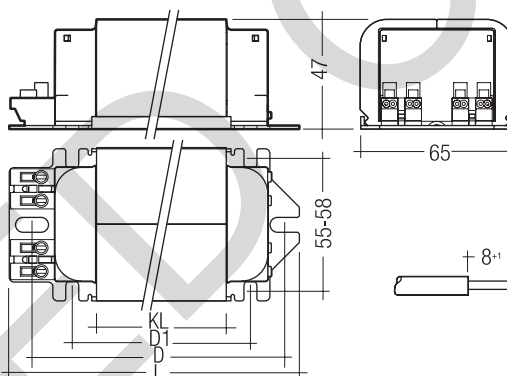
Product description

- Magnetic ballast
- For sodium lamps and metal halide lamps
- Chokes with reversible thermal cutout: trigger temperature 155 °C
- Additional types on request

→ For product data sheet go to www.tridonic.com,
or available on request

Technical data

Max. winding temperature tw	130 °C
Push-in terminal	0.5 – 1.5 mm ²



→ **Lamp matrix**, page 8

Compensation matrix, page 23

Suitable ignitors, page 58

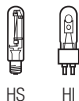
Wiring diagrams and installation examples, page 59

Ordering data

Type	Article number	Packaging, carton	Packaging, pallet	Weight per pcs.
Ballasts in standard design				
OMBIS 35 A604W 220-240/50 030A098T	22148862	10 pieces	480 pieces	0.85 kg
OMBIS 35 B604W 220-240/50 035A103T	22148600	10 pieces	480 pieces	0.96 kg
OMBS 50 A604W 220-240/50 035A103T	22148616	10 pieces	480 pieces	0.90 kg
OMBIS 70 A604W 220-240/50 045A113T	22148601	10 pieces	480 pieces	1.20 kg
OMBIS 70 A604K 220-240/50 045A113T	22148623	10 pieces	480 pieces	1.15 kg
OMBIS 70 B604W 220-240/50 055A123T	22148602	10 pieces	480 pieces	1.40 kg
OMBIS 100 A604W 220-240/50 055A123T	22148604	10 pieces	480 pieces	1.40 kg
OMBIS 150 A604W 220-240/50 075A143T	22148606	10 pieces	480 pieces	1.90 kg
OMBIS 150 A604K 220-240/50 075A143T	22148629	10 pieces	480 pieces	1.80 kg
OMBIS 150 B604W 220-240/50 085A153T	22148607	10 pieces	480 pieces	2.00 kg
OMBIS 250 Z604W 220-240/50 120A188T	22149045	6 pieces	240 pieces	2.80 kg
Ballasts with power tapping				
OMBS 50/35 A603W 230/240/50 045A113PL	22118832	660 pieces	660 pieces	1.17 kg
OMBS 70/50 Z603W 230/240/50 045A113T	22158510	10 pieces	480 pieces	1.17 kg
OMBS 70/50 A603W 230/240/50 055A123T	22148603	10 pieces	480 pieces	1.40 kg
OMBS 70/50 Z603W 230/240/50 045A113HL	22148581	360 pieces	360 pieces	1.17 kg
OMBS 100/70 A603W 230/240/50 065A133T	22148605	10 pieces	480 pieces	1.60 kg
OMBS 150/100 A603W 230/240/50 105A173T	22148608	10 pieces	240 pieces	2.40 kg

Specific technical data

Lamp wattage	Lamp type	Rated lamp current	Type	Article number	Voltage	Mains frequency	EEI	Thermal protection	Length L	Fixing dimensions		Core length KL	ΔT	Losses
										Hole spacing D	Hole spacing D1			
Ballasts in standard design														
35 W HS / HI		0.53 A	OMBIS 35 A604W	22148862	220 / 230 / 240 V	50 Hz	A3	yes	98 mm	75 – 84 mm	50.5 mm	30 mm	60 K	7.7 W
35 W HS / HI		0.53 A	OMBIS 35 B604W	22148600	220 / 230 / 240 V	50 Hz	A3	yes	103 mm	80 – 89 mm	55.5 mm	35 mm	50 K	7.3 W
50 W HS		0.76 A	OMBS 50 A604W	22148616	220 / 230 / 240 V	50 Hz	A3	yes	103 mm	80 – 89 mm	55.5 mm	35 mm	70 K	11.7 W
70 W HS / HI		1.00 A	OMBIS 70 A604W	22148601	220 / 230 / 240 V	50 Hz	A3	yes	113 mm	90 – 99 mm	65.5 mm	45 mm	70 K	12.1 W
70 W HS / HI		1.00 A	OMBIS 70 A604K	22148623	220 / 230 / 240 V	50 Hz	A3	no	113 mm	90 – 99 mm	65.5 mm	45 mm	70 K	11.9 W
70 W HS / HI		1.00 A	OMBIS 70 B604W	22148602	220 / 230 / 240 V	50 Hz	A3	yes	123 mm	100 – 109 mm	75.5 mm	55 mm	65 K	12.4 W
100 W HS / HI		1.20 A	OMBIS 100 A604W	22148604	220 / 230 / 240 V	50 Hz	A2	yes	123 mm	100 – 109 mm	75.5 mm	55 mm	65 K	13.7 W
150 W HS / HI		1.80 A	OMBIS 150 A604W	22148606	220 / 230 / 240 V	50 Hz	A3	yes	143 mm	120 – 129 mm	95.5 mm	75 mm	75 K	18.5 W
150 W HS / HI		1.80 A	OMBIS 150 A604K	22148629	220 / 230 / 240 V	50 Hz	A3	no	143 mm	122 – 133 mm	95.5 mm	75 mm	75 K	18.5 W
150 W HS / HI		1.80 A	OMBIS 150 B604W	22148607	220 / 230 / 240 V	50 Hz	A3	yes	153 mm	130 – 139 mm	105.5 mm	85 mm	65 K	18.7 W
250 W HS / HI		3.00 A	OMBIS 250 Z604W	22149045	220 / 230 / 240 V	50 Hz	A3	yes	188 mm	165 – 174 mm	140.5 mm	120 mm	75 K	25.6 W
Ballasts with power tapping														
50 / 35 W	HS	0.76 / 0.50 A	OMBS 50/35 A603W	22118832	230 / 240 V	50 Hz	A3	yes	113 mm	90 – 99 mm	65.5 mm	42 mm	35 / 65 K	6.9 / 11.2 W
70 / 50 W	HS	1.00 / 0.76 A	OMBS 70/50 Z603W	22158510	230 / 240 V	50 Hz	A3	yes	113 mm	90 – 99 mm	65.5 mm	45 mm	70 / 50 K	14.0 / 9.5 W
70 / 50 W	HS	1.00 / 0.76 A	OMBS 70/50 A603W	22148603	230 / 240 V	50 Hz	A3	yes	123 mm	100 – 109 mm	75.5 mm	55 mm	65 / 40 K	13.3 / 8.9 W
70 / 50 W	HS	1.00 / 0.76 A	OMBS 70/50 Z603W	22148581	230 / 240 V	50 Hz	A3	yes	113 mm	90 – 99 mm	65.5 mm	42 mm	70 / 50 K	14.0 / 9.5 W
100 / 70 W	HS	1.20 / 1.00 A	OMBS 100/70 A603W	22148605	230 / 240 V	50 Hz	A3	yes	133 mm	110 – 119 mm	85.5 mm	65 mm	65 / 55 K	13.7 / 10.7 W
150 / 100 W	HS	1.80 / 1.20 A	OMBS 150/100 A603W	22148608	230 / 240 V	50 Hz	A3	yes	173 mm	150 – 159 mm	125.5 mm	105 mm	70 / 45 K	21.6 / 12.2 W

**OMBIS 35 – 150 W OM PRO, screw terminal**

High-pressure sodium and metal halide lamps

Product description

- Magnetic ballast
- For sodium lamps and metal halide lamps
- Chokes with reversible thermal cutout: trigger temperature 155 °C
- 22175029 and 22175139 without ENEC
- Additional types on request

→ For product data sheet go to www.tridonic.com,
or available on request

Technical data

Max. winding temperature tw	130 °C
Screw terminal	0.75 – 2.5 mm ²

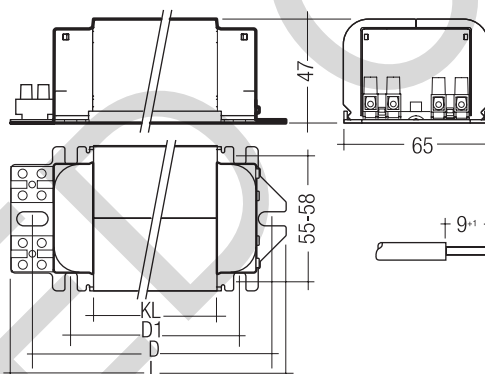


Lamp matrix, page 8

Compensation matrix, page 23

Suitable ignitors, page 58

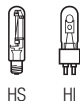
Wiring diagrams and installation examples, page 59

**Ordering data**

Type	Article number	Packaging, carton	Packaging, pallet	Weight per pcs.
Ballasts in standard design				
OMBIS 35 A504K 220-240/50 030A098T	22148876	10 pieces	480 pieces	0.85 kg
OMBS 50 A504W 220-240/50 035A103T	22175084	10 pieces	480 pieces	1.00 kg
OMBIS 70 A504K 220-240/50 045A113T	22148718	10 pieces	480 pieces	1.37 kg
OMBIS 70 A504W 220-240/50 045A113T	22148680	10 pieces	480 pieces	1.15 kg
OMBIS 100 A504W 220-240/50 055A123T	22148805	10 pieces	480 pieces	1.37 kg
OMBIS 150 A504K 220-240/50 075A143T	22148719	10 pieces	480 pieces	1.80 kg
OMBIS 150 A504W 220-240/50 075A143T	22148782	10 pieces	480 pieces	1.80 kg
OMBIS 150 Z501K 230/50 065A133T	22175139	10 pieces	480 pieces	1.60 kg
OMBIS 250 Z502K 240/50 120A188T	22175116	6 pieces	240 pieces	2.75 kg
OMBIS 250 Z504K 220-240/50 120A188T	22175072	6 pieces	240 pieces	2.75 kg
OMBIS 250 Z505K 220/50 120A188T	22175029	6 pieces	240 pieces	2.75 kg
Ballasts with power tapping				
OMBS 70/50 A503W 230/240/50 055A123T	22175085	10 pieces	480 pieces	1.40 kg
OMBS 10070 A503W 230/240/50 065A133T	22175086	10 pieces	480 pieces	1.60 kg
OMBS 150/100 A503W 230/240/50 105A173T	22175087	10 pieces	240 pieces	2.40 kg

Specific technical data

Lamp wattage	Lamp type	Rated lamp current	Type	Article number	Voltage	Mains frequency	EEL	Thermal protection	Length L	Fixing dimensions		Core length KL	ΔT	Losses
										Hole spacing D	Hole spacing D1			
Ballasts in standard design														
35 W	HS / HI	0.53 A	OMBIS 35 A504K	22148876	220 / 230 / 240 V	50 Hz	A3	no	98 mm	77 – 88 mm	50.5 mm	30 mm	60 K	7.7 W
50 W	HS	0.76 A	OMBS 50 A504W	22175084	220 / 230 / 240 V	50 Hz	A3	yes	103 mm	80 – 89 mm	55.5 mm	35 mm	70 K	11.7 W
70 W	HS / HI	1.00 A	OMBIS 70 A504K	22148718	220 / 230 / 240 V	50 Hz	A3	no	113 mm	90 – 99 mm	65.5 mm	45 mm	70 K	11.9 W
70 W	HS / HI	1.00 A	OMBIS 70 A504W	22148680	220 / 230 / 240 V	50 Hz	A3	yes	113 mm	90 – 99 mm	65.5 mm	45 mm	70 K	11.9 W
100 W	HS / HI	1.20 A	OMBIS 100 A504W	22148805	220 / 230 / 240 V	50 Hz	A2	yes	123 mm	100 – 109 mm	75.5 mm	55 mm	65 K	13.0 W
150 W	HS / HI	1.80 A	OMBIS 150 A504K	22148719	220 / 230 / 240 V	50 Hz	A3	no	143 mm	122 – 133 mm	95.5 mm	75 mm	75 K	18.5 W
150 W	HS / HI	1.80 A	OMBIS 150 A504W	22148782	220 / 230 / 240 V	50 Hz	A3	yes	143 mm	122 – 133 mm	95.5 mm	75 mm	75 K	18.5 W
150 W	HS / HI	1.80 A	OMBIS 150 Z501K	22175139	230 V	50 Hz	A3	no	133 mm	110 – 119 mm	85.5 mm	65 mm	80 K	17.4 W
250 W	HS / HI	3.00 A	OMBIS 250 Z502K	22175116	240 V	50 Hz	–	no	188 mm	165 – 174 mm	140.5 mm	120 mm	75 K	26.3 W
250 W	HS / HI	3.00 A	OMBIS 250 Z504K	22175072	220 / 230 / 240 V	50 Hz	A3	no	188 mm	165 – 174 mm	140.5 mm	120 mm	75 K	25.6 W
250 W	HS / HI	3.00 A	OMBIS 250 Z505K	22175029	220 V	50 Hz	–	no	188 mm	165 – 174 mm	140.5 mm	120 mm	75 K	24.6 W
Ballasts with power tapping														
70 / 50 W	HS	1.00 / 0.76 A	OMBS 70/50 A503W	22175085	230 / 240 V	50 Hz	A3	yes	123 mm	100 – 109 mm	75.5 mm	55 mm	65 / 45 K	13.3 / 8.9 W
100 / 70 W	HS	1.20 / 1.00 A	OMBS 10070 A503W	22175086	230 / 240 V	50 Hz	A3	yes	133 mm	110 – 119 mm	85.5 mm	65 mm	65 / 55 K	14.9 / 12.1 W
150 / 100 W	HS	1.80 / 1.20 A	OMBS 150/100 A503W	22175087	230 / 240 V	50 Hz	A3	yes	173 mm	150 – 159 mm	125.5 mm	105 mm	70 / 45 K	21.6 / 12.2 W


OMBIS 35 – 250 W OM PRO pulser tapping, screw terminal

High-pressure sodium and metal halide lamps

Product description

- Magnetic ballast
 - For sodium lamps and metal halide lamps
 - Choke with pulser tapping
 - Suitable for Tridonic ignitors
 - Chokes with reversible thermal cutout: trigger temperature 155 °C
 - Additional types on request
- For product data sheet go to www.tridonic.com, or available on request

Technical data

Max. winding temperature tw	130 °C
Screw terminal	0.75 – 2.5 mm ²

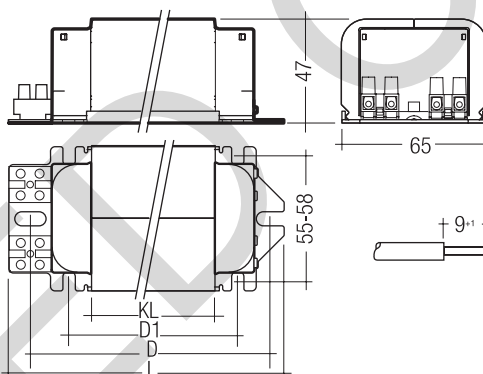


Lamp matrix, page 8

Compensation matrix, page 23

Suitable ignitors, page 58

Wiring diagrams and installation examples, page 59


Ordering data

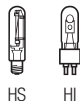
Type	Article number	Packaging, carton	Packaging, pallet	Weight per pcs.
Ballasts with pulser tapping				
OMBIS 35 PB503W 230/240/50 035A103T	22148609	10 pieces	480 pieces	0.90 kg
OMBS 50 PA503W 230/240/50 035A103T	22158567	10 pieces	480 pieces	0.90 kg
OMBS 70 PA503W 230/240/50 045A113T	22148611	10 pieces	480 pieces	1.20 kg
OMBI 70 PA503W 230/240/50 045A113T	22148610	10 pieces	480 pieces	1.20 kg
OMBI 70PA503W 230/240/50 045A113HL	22158576	360 pieces	360 pieces	1.20 kg
OMBIS 100 PA503W 230/240/50 055A123T	22148612	10 pieces	480 pieces	1.40 kg
OMBIS 100 PA503W 230/240/50 055A123HL	22158566	315 pieces	315 pieces	1.36 kg
OMBIS 150 PB503W 230/240/50 085A153T	22148613	10 pieces	480 pieces	2.00 kg
OMBIS 150 PA503W 230/240/50 075A143HL	22149207	270 pieces	270 pieces	1.80 kg
OMBIS 150 PB503W 230/240/50 085A153HL	22158565	245 pieces	245 pieces	2.00 kg
OMBIS 250 PZ 503W 230/240/50 120A188HL	22149230	195 pieces	195 pieces	2.80 kg

Specific technical data

Lamp wattage	Lamp type	Rated lamp current	Type	Article number	Voltage	Mains frequency	EEI	Thermal protection	Length L	Fixing dimensions		Core length KL	ΔT	Losses
										Hole spacing D	Hole spacing D1			
Ballasts with pulser tapping														
35 W	HS / HI	0.53 A	OMBIS 35 PB503W	22148609	230 / 240 V	50 Hz	A3	yes	103 mm	80 – 89 mm	55.5 mm	35 mm	50 K	7.5 W
50 W	HS	0.76 A	OMBS 50 PA503W	22158567	230 / 240 V	50 Hz	A3	yes	103 mm	80 – 89 mm	55.5 mm	35 mm	70 K	11.0 W
70 W	HS	1.00 A	OMBS 70 PA503W	22148611	230 / 240 V	50 Hz	A3	yes	113 mm	90 – 99 mm	65.5 mm	45 mm	70 K	13.1 W
70 W	HI	1.00 A	OMBI 70 PA503W	22148610	230 / 240 V	50 Hz	A3	yes	113 mm	90 – 99 mm	65.5 mm	45 mm	70 K	13.1 W
70 W	HI	1.00 A	OMBI 70PA503W	22158576	230 / 240 V	50 Hz	A3	yes	113 mm	90 – 99 mm	65.5 mm	45 mm	70 K	13.1 W
100 W	HS / HI	1.20 A	OMBIS 100 PA503W	22148612	230 / 240 V	50 Hz	A2	yes	123 mm	100 – 109 mm	75.5 mm	55 mm	65 K	13.7 W
100 W	HS / HI	1.20 A	OMBIS 100 PA503W	22158566	230 / 240 V	50 Hz	A2	yes	123 mm	100 – 109 mm	75.5 mm	55 mm	65 K	13.0 W
150 W	HS / HI	1.80 A	OMBIS 150 PB503W	22148613	230 / 240 V	50 Hz	A3	yes	153 mm	130 – 139 mm	105.5 mm	85 mm	65 K	18.1 W
150 W	HS / HI	1.80 A	OMBIS 150 PA503W	22149207	230 / 240 V	50 Hz	A3	yes	143 mm	122 – 133 mm	95.5 mm	75 mm	75 K	18.5 W
150 W	HS / HI	1.80 A	OMBIS 150 PB503W	22158565	230 / 240 V	50 Hz	A3	yes	153 mm	130 – 139 mm	105.5 mm	85 mm	65 K	18.1 W
250 W	HS / HI	3.00 A	OMBIS 250 PZ 503W	22149230	230 / 240 V	50 Hz	A3	yes	188 mm	165 – 174 mm	140.5 mm	120 mm	80 K	28.6 W



Only for devices with double insulation:



OMBIS 35 – 250 W Vario 6-point

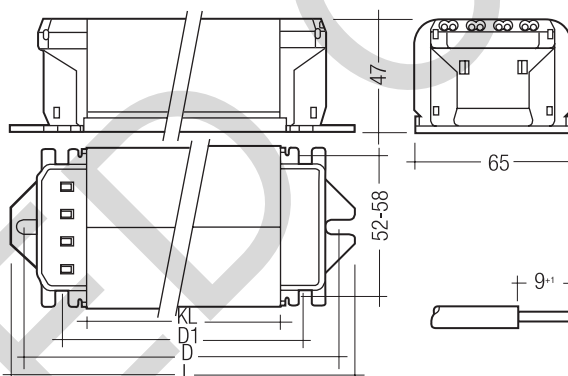
High-pressure sodium and metal halide lamps

Product description

- Magnetic ballast
 - For sodium lamps and metal halide lamps
 - Chokes with reversible thermal cutout: trigger temperature 155 °C
 - Device with double insulation:
irreversible thermal cutout, trigger temperature 214 °C
 - Additional types on request
- For product data sheet go to www.tridonic.com,
or available on request

Technical data

Max. winding temperature tw	130 °C
Push-in terminal	0.75 – 2.5 mm ²



Lamp matrix, page 8

Compensation matrix, page 23

Suitable ignitors, page 58

Wiring diagrams and installation examples, page 59

Ordering data

Type	Article number	Packaging, carton	Packaging, pallet	Weight per pcs.
Ballasts in standard design				
OMBIS 35 B103W 230-250/50 035A097T	20569782	10 pieces	480 pieces	0.9 kg
OMBIS 35 B101W 230/50 035A097T	20578455	10 pieces	480 pieces	0.9 kg
OMBIS 70 A103W 230-250/50 045A107T	20568074	10 pieces	480 pieces	1.2 kg
OMBIS 70 B103W 230-250/50 055A117T	20575741	10 pieces	480 pieces	1.4 kg
OMBIS 70 C103W 230-250/50 065A127T	20820295	10 pieces	480 pieces	1.6 kg
OMBIS 70 A101W 230/50 045A107T	20568096	10 pieces	480 pieces	1.1 kg
OMBIS 70 B153W 230-250/50 055A091T	22148804	10 pieces	480 pieces	1.4 kg
OMBIS 100 A103W 230-250/50 055A117T	20568891	10 pieces	480 pieces	1.4 kg
OMBIS 100 C103W 230-250/50 075A137T	20570572	10 pieces	480 pieces	1.8 kg
OMBIS 150 A103W 230-250/50 075A137T	20568879	10 pieces	480 pieces	1.9 kg
OMBIS 150 B103W 230-250/50 085A147T	20568863	10 pieces	480 pieces	2.0 kg
OMBIS 150 B151W 230/50 085A121T	20824456	10 pieces	480 pieces	2.0 kg
OMBIS 250 1/2 B103W 230-250/50 085A147T	20575656	10 pieces	480 pieces	2.0 kg
Ballasts with double insulation				
OMBIS 35 A203D 230-250/50 030A092T	22148980	10 pieces	480 pieces	0.8 kg
OMBIS 70 A203D 230-250/50 045A107T	22148982	10 pieces	480 pieces	1.2 kg
OMBIS 100 A203D 230-250/50 055A117T	22148971	10 pieces	480 pieces	1.4 kg
OMBIS 150 A204D 220-240/50 075A137T	22148972	10 pieces	480 pieces	1.8 kg
Ballasts with power tapping				
OMBS 70/50 A103W 230/240/50 055A117T	20885000	10 pieces	480 pieces	1.4 kg
OMBS 100/70 A103W 230/240/50 065A127T	20885053	10 pieces	480 pieces	1.6 kg
OMBS 150/100 A103W 230/240/50 105A167T	20885094	10 pieces	240 pieces	2.4 kg

Ordering data

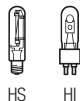
Type	Article number	Packaging, carton	Packaging, pallet	Weight per pcs.
Ballasts with double insulation and power tapping				
OMBS 50/35 A201D 230/50 045A107T	22148992	10 pieces	480 pieces	1.2 kg
OMBS 70/50 A201D 230/50 055A117T	22148994	10 pieces	480 pieces	1.4 kg
OMBS 150/100 A201D 230/50 105A167T	22148989	10 pieces	240 pieces	2.4 kg
Ballasts for 60 Hz				
OMBIS 70 A106W 220-240/60 045A107T	20574788	10 pieces	480 pieces	1.2 kg
OMBIS 100 A106W 220-240/60 055A117T	20574794	10 pieces	480 pieces	1.4 kg
OMBIS 150 A106W 220-240/60 060A114	20571288	10 pieces	480 pieces	1.9 kg

Specific technical data

Lamp wattage	Lamp type	Rated lamp current	Type	Article number	Voltage	Mains frequency	EEI	Thermal protection	Length L	Fixing dimensions		Core length KL	ΔT	Losses
										Hole spacing D	Hole spacing D1			
Ballasts in standard design														
35 W	HS / HI	0.53 A	OMBIS 35 B103W	20569782	230 / 240 / 250 V	50 Hz	A3	yes	97 mm	80 – 89 mm	55.5 mm	35 mm	50 K	7.5 W
35 W	HS / HI	0.53 A	OMBIS 35 B101W	20578455	230 V	50 Hz	A3	yes	97 mm	80 – 89 mm	55.5 mm	35 mm	45 K	7.0 W
70 W	HS / HI	1.00 A	OMBIS 70 A103W	20568074	230 / 240 / 250 V	50 Hz	A3	yes	107 mm	90 – 99 mm	65.5 mm	45 mm	70 K	12.1 W
70 W	HS / HI	1.00 A	OMBIS 70 B103W	20575741	230 / 240 / 250 V	50 Hz	A3	yes	117 mm	100 – 109 mm	75.5 mm	55 mm	65 K	12.4 W
70 W	HS / HI	1.00 A	OMBIS 70 C103W	20820295	230 / 240 / 250 V	50 Hz	A3	yes	127 mm	110 – 119 mm	85.5 mm	65 mm	55 K	12.2 W
70 W	HS / HI	1.00 A	OMBIS 70 A101W	20568096	230 V	50 Hz	A3	yes	107 mm	90 – 99 mm	65.5 mm	45 mm	70 K	11.8 W
70 W	HS / HI	1.00 A	OMBIS 70 B153W	22148804	230 / 240 / 250 V	50 Hz	A3	yes	91 mm	–	75.5 mm	55 mm	65 K	12.4 W
100 W	HS / HI	1.20 A	OMBIS 100 A103W	20568891	230 / 240 / 250 V	50 Hz	A2	yes	117 mm	100 – 109 mm	75.5 mm	55 mm	65 K	13.7 W
100 W	HS / HI	1.20 A	OMBIS 100 C103W	20570572	230 / 240 / 250 V	50 Hz	A2	yes	137 mm	120 – 129 mm	95.5 mm	75 mm	60 K	13.9 W
150 W	HS / HI	1.80 A	OMBIS 150 A103W	20568879	230 / 240 / 250 V	50 Hz	A3	yes	137 mm	120 – 129 mm	95.5 mm	75 mm	85 K	19.5 W
150 W	HS / HI	1.80 A	OMBIS 150 B103W	20568863	230 / 240 / 250 V	50 Hz	A3	yes	147 mm	130 – 139 mm	105.5 mm	85 mm	65 K	18.7 W
150 W	HS / HI	1.80 A	OMBIS 150 B151W	20824456	230 V	50 Hz	A3	yes	121 mm	–	105.5 mm	85 mm	65 K	17.5 W
250 W	HS / HI	3.00 A	OMBIS 250 1/2 B103W	20575656	230 / 240 / 250 V	50 Hz	A3	yes	147 mm	130 – 139 mm	105.5 mm	85 mm	70 K	18.3 W
Ballasts with double insulation														
35 W	HS / HI	0.53 A	OMBIS 35 A203D	22148980	230 / 240 / 250 V	50 Hz	A3	yes	92 mm	75 – 84 mm	50.5 mm	30 mm	60 K	8.0 W
70 W	HS / HI	1.00 A	OMBIS 70 A203D	22148982	230 / 240 / 250 V	50 Hz	A3	yes	107 mm	90 – 99 mm	65.5 mm	45 mm	70 K	12.7 W
100 W	HS / HI	1.20 A	OMBIS 100 A203D	22148971	230 / 240 / 250 V	50 Hz	A2	yes	117 mm	100 – 109 mm	75.5 mm	55 mm	65 K	13.7 W
150 W	HS / HI	1.80 A	OMBIS 150 A204D	22148972	220 / 230 / 240 V	50 Hz	A3	yes	137 mm	120 – 129 mm	95.5 mm	75 mm	75 K	18.5 W
Ballasts with power tapping														
70 / 50 W	HS	1.00 / 0.76 A	OMBS 70/50 A103W	20885000	230 / 240 V	50 Hz	A3	yes	117 mm	100 – 109 mm	75.5 mm	55 mm	65 / 40 K	13.8 / 9.4 W
100 / 70 W	HS	1.20 / 1.00 A	OMBS 100/70 A103W	20885053	230 / 240 V	50 Hz	A3	yes	127 mm	110 – 119 mm	85.5 mm	65 mm	65 / 55 K	13.7 / 10.7 W
150 / 100 W	HS	1.80 / 1.20 A	OMBS 150/100 A103W	20885094	230 / 240 V	50 Hz	A3	yes	167 mm	150 – 159 mm	125.5 mm	105 mm	70 / 45 K	21.6 / 12.2 W
Ballasts with double insulation and power tapping														
50 / 35 W	HS	0.76 / 0.53 A	OMBS 50/35 A201D	22148992	230 V	50 Hz	A3	yes	107 mm	90 – 99 mm	65.5 mm	45 mm	65 / 35 K	10.8 / 6.7 W
70 / 50 W	HS	1.00 / 0.76 A	OMBS 70/50 A201D	22148994	230 V	50 Hz	A3	yes	117 mm	100 – 109 mm	75.5 mm	55 mm	65 / 40 K	12.6 / 8.7 W
150 / 100 W	HS	1.80 / 1.20 A	OMBS 150/100 A201D	22148989	230 V	50 Hz	A3	yes	167 mm	150 – 159 mm	125.5 mm	105 mm	75 / 45 K	21.0 / 11.8 W
Ballasts for 60 Hz														
70 W	HS / HI	1.00 A	OMBIS 70 A106W	20574788	220 / 230 / 240 V	60 Hz	–	yes	107 mm	90 – 99 mm	65.5 mm	45 mm	60 K	11.8 W
100 W	HS / HI	1.20 A	OMBIS 100 A106W	20574794	220 / 230 / 240 V	60 Hz	–	yes	117 mm	100 – 109 mm	75.5 mm	55 mm	60 K	12.6 W
150 W	HS / HI	1.80 A	OMBIS 150 A106W	20571288	220 / 230 / 240 V	60 Hz	–	yes	137 mm	120 – 129 mm	95.5 mm	75 mm	70 K	17.4 W



Only for devices with double insulation:



OMBIS 35 – 250 W Vario 4-point

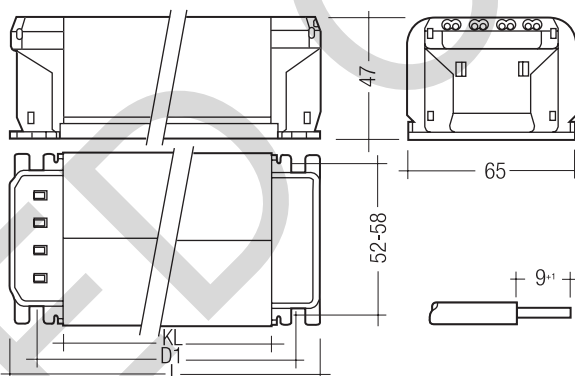
High-pressure sodium and metal halide lamps

Product description

- Magnetic ballast
 - For sodium lamps and metal halide lamps
 - Chokes with reversible thermal cutout: trigger temperature 155 °C
 - Device with double insulation: irreversible thermal cutout, trigger temperature 214 °C
 - Additional types on request
- For product data sheet go to www.tridonic.com, or available on request

Technical data

Max. winding temperature tw	130 °C
Push-in terminal	0.75 – 2.5 mm ²



Lamp matrix, page 8

Compensation matrix, page 23

Suitable ignitors, page 58

Wiring diagrams and installation examples, page 59

Ordering data

Type	Article number	Packaging, carton	Packaging, pallet	Weight per pcs.
Ballasts in standard design				
OMBIS 35 B153W 230-250/50 035A071T	20824173	10 pieces	480 pieces	0.9 kg
OMBIS 70 A153W 230-250/50 045A081T	20824220	10 pieces	480 pieces	1.2 kg
OMBIS 70 C153W 230-250/50 065A101T	20824343	10 pieces	480 pieces	1.6 kg
OMBIS 150 A153W 230-250/50 075A111T	20880440	10 pieces	480 pieces	1.9 kg
OMBIS 150 B153W 230-250/50 085A121T	20824469	10 pieces	480 pieces	2.0 kg
OMBIS 150 C153W 230-250/50 105A141T	20824504	10 pieces	240 pieces	2.4 kg
OMBIS 250 A153W 230-250/50 150A186T	20824891	6 pieces	240 pieces	3.5 kg
Ballasts with double insulation				
OMBIS 70 A253D 230-250/50 045A081T	22148985	10 pieces	480 pieces	1.2 kg
OMBIS 150 B253D 230-250/50 085A121T	22148973	10 pieces	480 pieces	2.0 kg
Ballasts with power tapping				
OMBS 100/70 A153W 230/240/50 065A101T	20885066	10 pieces	480 pieces	1.6 kg
OMBS 150/100 A153W 230/240/50 105A141T	20885109	10 pieces	240 pieces	2.5 kg
Ballasts with double insulation and power tapping				
OMBS 50/35 A251D 230/50 045A081T	22148993	10 pieces	480 pieces	1.2 kg
OMBS 70/50 A251D 230/50 055A091T	22148996	10 pieces	480 pieces	1.4 kg
OMBS 100/70 A251D 230/50 065A101T	22148988	10 pieces	480 pieces	1.7 kg
OMBS 150/100 A251D 230/50 105A141T	22148990	10 pieces	240 pieces	2.5 kg

Specific technical data

Lamp wattage	Lamp type	Rated lamp current	Type	Article number	Voltage	Mains frequency	EEL	Thermal protection	Length L	Fixing dimensions Hole spacing D1	Core length KL	ΔT	Losses
Ballasts in standard design													
35 W	HS / HI	0.53 A	OMBIS 35 B153W	20824173	230 / 240 / 250 V	50 Hz	A3	yes	71 mm	55.5 mm	35 mm	50 K	7.5 W
70 W	HS / HI	1.00 A	OMBIS 70 A153W	20824220	230 / 240 / 250 V	50 Hz	A3	yes	81 mm	65.5 mm	45 mm	70 K	12.1 W
70 W	HS / HI	1.00 A	OMBIS 70 C153W	20824343	230 / 240 / 250 V	50 Hz	A3	yes	101 mm	85.5 mm	65 mm	55 K	12.2 W
150 W	HS / HI	1.80 A	OMBIS 150 A153W	20880440	230 / 240 / 250 V	50 Hz	A3	yes	111 mm	95.5 mm	75 mm	85 K	19.5 W
150 W	HS / HI	1.80 A	OMBIS 150 B153W	20824469	230 / 240 / 250 V	50 Hz	A3	yes	121 mm	105.5 mm	85 mm	65 K	18.7 W
150 W	HS / HI	1.80 A	OMBIS 150 C153W	20824504	230 / 240 / 250 V	50 Hz	A3	yes	141 mm	125.5 mm	105 mm	65 K	18.3 W
250 W	HS / HI	3.00 A	OMBIS 250 A153W	20824891	230 / 240 / 250 V	50 Hz	A3	yes	186 mm	170.5 mm	150 mm	75 K	34.2 W
Ballasts with double insulation													
70 W	HS / HI	1.00 A	OMBIS 70 A253D	22148985	230 / 240 / 250 V	50 Hz	A3	yes	81 mm	65.5 mm	45 mm	70 K	12.1 W
150 W	HS / HI	1.80 A	OMBIS 150 B253D	22148973	230 / 240 / 250 V	50 Hz	A3	yes	121 mm	105.5 mm	85 mm	70 K	18.3 W
Ballasts with power tapping													
100 / 70 W	HS	1.20 / 1.00 A	OMBS 100/70 A153W	20885066	230 / 240 V	50 Hz	A3	yes	101 mm	85.5 mm	65 mm	65 / 55 K	13.7 / 10.7 W
150 / 100 W	HS	1.80 / 1.20 A	OMBS 150/100 A153W	20885109	230 V	50 Hz	A3	yes	167 mm	125.5 mm	105 mm	75 / 45 K	21.0 / 11.8 W
Ballasts with double insulation and power tapping													
50 / 35 W	HS	0.76 / 0.53 A	OMBS 50/35 A251D	22148993	230 V	50 Hz	A3	yes	81 mm	65.5 mm	45 mm	65 / 35 K	10.8 / 6.7 W
70 / 50 W	HS	1.00 / 0.76 A	OMBS 70/50 A251D	22148996	230 V	50 Hz	A3	yes	91 mm	75.5 mm	55 mm	65 / 40 K	13.5 / 9.2 W
100 / 70 W	HS	1.20 / 1.00 A	OMBS 100/70 A251D	22148988	230 V	50 Hz	A3	yes	101 mm	85.5 mm	65 mm	65 / 55 K	13.0 / 10.5 W
150 / 100 W	HS	1.80 / 1.20 A	OMBS 150/100 A251D	22148990	230 V	50 Hz	A3	yes	141 mm	130.5 mm	105 mm	70 / 45 K	21.0 / 11.8 W



OMB SDW 35 – 100 W for ignitors CSLS (Philips)
SON SDW-T special lamp

Product description

- Magnetic ballast
 - For Philips SON-SDW lamps
 - Operation on Philips CSLS control unit
 - Chokes with reversible thermal cutout: trigger temperature 155 °C
- For product data sheet go to www.tridonic.com, or available on request

Technical data

Max. winding temperature tw	130 °C
Push-in terminal	0.75 – 2.5 mm ²

Fig. 1

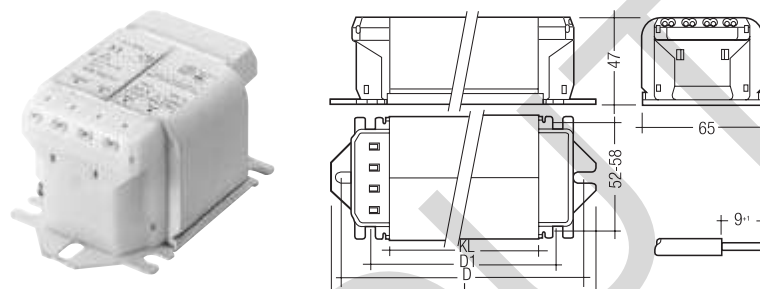
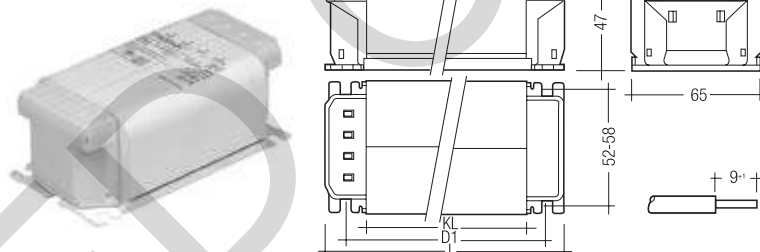


Fig. 2



Lamp matrix, page 8

Compensation matrix, page 23

Suitable ignitors, page 58

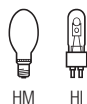
Wiring diagrams and installation examples, page 59

Ordering data

Type	Article number	Figure	Packaging, carton	Packaging, pallet	Weight per pcs.
OMB SDW 35 B153W 220-240/50 035A071T	20823181	2	10 pieces	480 pieces	0.9 kg
OMB SDW 50 B153W 220-240/50 040A076T	20881229	1	10 pieces	480 pieces	1.0 kg
OMB SDW 100 B153W 220-240/50 075A111T	20823207	2	10 pieces	480 pieces	1.7 kg

Specific technical data

Lamp wattage	Lamp type	Rated lamp current	Type	Article number	Figure	Voltage	Mains frequency	EEI	Thermal protection	Length L	Fixing dimensions		Core length KL	ΔT	Losses
											Hole spacing D	Hole spacing D1			
35 W	HS	0.48 A	OMB SDW 35 B153W	20823181	2	220 / 230 / 240 V	50 Hz	A2	yes	71 mm	–	55 mm	35 mm	50 K	6.2 W
50 W	HS	0.78 A	OMB SDW 50 B153W	20881229	1	220 / 230 / 240 V	50 Hz	A3	yes	102 mm	85 – 94 mm	60 mm	50 mm	65 K	9.5 W
100 W	HS	1.35 A	OMB SDW 100 B153W	20823207	2	220 / 230 / 240 V	50 Hz	A3	yes	111 mm	–	95 mm	75 mm	55 K	12.7 W

**OGL 250 – 1000 W**

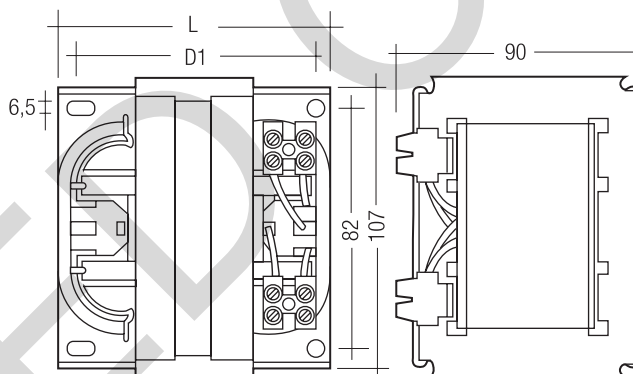
High-pressure mercury and metal halide lamps

Product description

- Magnetic ballast
 - For mercury vapour lamps and metal halide lamps
 - Chokes with reversible thermal cutout:
trigger temperature 155 °C
 - Additional types on request
- For product data sheet go to www.tridonic.com,
or available on request

Technical data

Max. winding temperature t_w	130 °C
Screw terminal	1 – 6 mm ²



Lamp matrix, page 8

Compensation matrix, page 23

Suitable ignitors, page 58

Wiring diagrams and installation examples, page 59

Ordering data

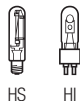
Type	Article number	Packaging, carton	Packaging, pallet	Weight per pcs.
Ballasts in standard design				
OGL 250 W 30 220-240/50 030A084	20296024	6 pieces	216 pieces	2.4 kg
OGL 400 W 40 220-240/50 040A094	20296030	6 pieces	216 pieces	3.1 kg
OGL 700 W 80 220-240/50 080A134	20294541	3 pieces	108 pieces	5.4 kg
OGL 1000 W 120 220-240/50 120B174	20295043	2 pieces	72 pieces	7.7 kg

Specific technical data

Lamp wattage	Lamp type	Rated lamp current	Type	Article number	Voltage	Mains frequency	EEL	Thermal protection	Length L	Fixing dimensions Hole spacing D1	Core length KL	ΔT	Losses
Ballasts in standard design													
250 W	HM / HI	2.15 A	OGL 250 W 30	20296024	220 / 230 / 240 V	50 Hz	A2	no	84 mm	70 mm	30 mm	65 K	18.6 W
400 W	HM / HI	3.25 A	OGL 400 W 40	20296030	220 / 230 / 240 V	50 Hz	A2	no	94 mm	80 mm	40 mm	75 K	25.1 W
700 W	HM	5.40 A	OGL 700 W 80	20294541	220 / 230 / 240 V	50 Hz	A2	no	134 mm	120 mm	80 mm	60 K	28.0 W
1,000 W	HM / HI	7.50 A	OGL 1000 W 120	20295043	220 / 230 / 240 V	50 Hz	A2	no	174 mm	160 mm	120 mm	70 K	37.0 W



Only for devices with double insulation:



OGLIS 250 – 1000 W

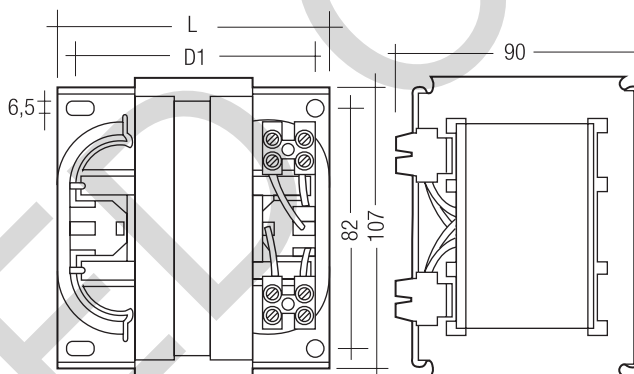
High-pressure sodium and metal halide lamps

Product description

- Magnetic ballast
 - For sodium lamps and metal halide lamps
 - Chokes with reversible thermal cutout: trigger temperature 155 °C
 - Device with double insulation:
irreversible thermal cutout, trigger temperature 214 °C
 - Additional types on request
- For product data sheet go to www.tridonic.com,
or available on request

Technical data

Max. winding temperature tw	130 °C
Screw terminal	1 – 4 mm ²



Lamp matrix, page 8

Compensation matrix, page 23

Suitable ignitors, page 58

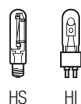
Wiring diagrams and installation examples, page 59

Ordering data

Type	Article number	Packaging, carton	Packaging, pallet	Weight per pcs.
Ballasts in standard design				
OGLIS 250W 40 230-250/50 040A094 TP	20562752	6 pieces	216 pieces	3.1 kg
OGLS 400 W 60 220-240/50 060A114 TP	20820138	4 pieces	144 pieces	4.5 kg
OGLS 600W 100 220-240/50 100B154 TP	20882197	3 pieces	108 pieces	6.7 kg
OGLIS 1000 A024W 220-240/50 140A194	22148490	2 pieces	72 pieces	9.0 kg
Ballasts with double insulation				
OGLIS 250 C203D 230-250/50 040A094	22149035	6 pieces	216 pieces	3.2 kg
OGLS 400 C203D 230-250/50 060A114	22149038	4 pieces	144 pieces	4.2 kg
Ballasts with pulser tapping				
OGLIS 250 PC023W 230/240/50 040A094	22149231	6 pieces	216 pieces	3.1 kg
OGLIS1000 PC023W 230/240/50 180B234HL	22148645	1 pieces	42 pieces	11.6 kg
Ballasts for 60 Hz				
OGLS 400W 60 220-240/60 060A114	20565518	4 pieces	144 pieces	4.2 kg
OGLS 600W 80 220-240/60 080A134	20821091	3 pieces	108 pieces	5.4 kg
OGLIS 1000W 140 220-240/60 140B194	20880891	2 pieces	72 pieces	9.0 kg

Specific technical data

Lamp wattage	Lamp type	Rated lamp current	Type	Article number	Voltage	Mains frequency	EEL	Thermal protection	Length L	Fixing dimensions Hole spacing D1	Core length KL	ΔT	Losses
Ballasts in standard design													
250 W	HS / HI	3.00 A	OGLIS 250W 40	20562752	230 / 240 / 250 V	50 Hz	A2	yes	94 mm	80 mm	40 mm	70 K	25.5 W
400 W	HS / HI	4.45 A	OGLS 400 W 60	20820138	220 / 230 / 240 V	50 Hz	A2	yes	114 mm	100 mm	60 mm	70 K	30.0 W
600 W	HS	6.20 A	OGLS 600W 100	20882197	220 / 230 / 240 V	50 Hz	A2	yes	154 mm	140 mm	100 mm	65 K	35.0 W
1,000 W	HS / HI	10.30 A	OGLIS 1000 A024W	22148490	220 / 230 / 240 V	50 Hz	A2	yes	194 mm	180 mm	140 mm	75 K	72.0 W
Ballasts with double insulation													
250 W	HS / HI	3.00 A	OGLIS 250 C203D	22149035	230 / 240 / 250 V	50 Hz	A2	yes	94 mm	80 mm	40 mm	70 K	25.5 W
400 W	HS / HI	4.45 A	OGLS 400 C203D	22149038	230 / 240 / 250 V	50 Hz	A2	yes	114 mm	100 mm	60 mm	80 K	34.0 W
Ballasts with pulser tapping													
250 W	HS / HI	3.00 A	OGLIS 250 PC023W	22149231	230 / 240 V	50 Hz	A3	yes	94 mm	80 mm	40 mm	80 K	27.4 W
1,000 W	HS / HI	10.30 A	OGLIS1000 PC023W	22148645	230 / 240 V	50 Hz	A2	yes	234 mm	220 mm	180 mm	60 K	51.0 W
Ballasts for 60 Hz													
400 W	HS / HI	4.45 A	OGLS 400W 60	20565518	220 / 230 / 240 V	60 Hz	-	no	114 mm	100 mm	60 mm	60 K	30.4 W
600 W	HS	6.20 A	OGLS 600W 80	20821091	220 / 230 / 240 V	60 Hz	-	no	134 mm	120 mm	80 mm	60 K	34.3 W
1,000 W	HS / HI	10.30 A	OGLIS 1000W 140	20880891	220 / 230 / 240 V	60 Hz	-	no	194 mm	180 mm	140 mm	70 K	70.0 W



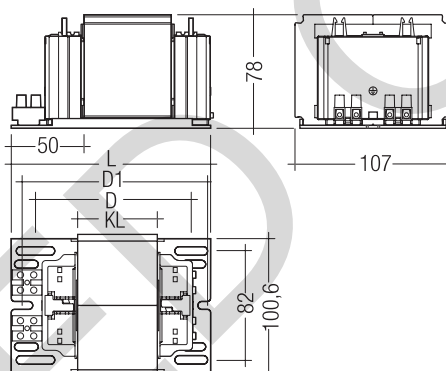
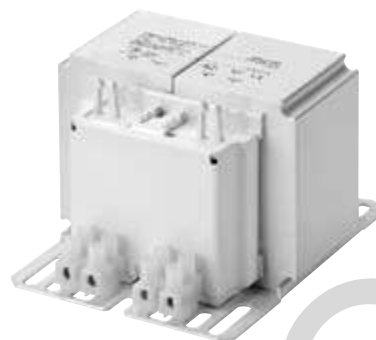
OGLS 250 – 600 W Vario
High-pressure sodium and metal halide lamps

Product description

- Magnetic ballast
 - For sodium lamps and metal halide lamps
 - Chokes with reversible thermal cutout: trigger temperature 155 °C
 - Additional types on request
- For product data sheet go to www.tridonic.com, or available on request

Technical data

Max. winding temperature tw	130 °C
Screw terminal	1 – 6 mm ²



Lamp matrix, page 8

Compensation matrix, page 23

Suitable ignitors, page 58

Wiring diagrams and installation examples, page 59

Ordering data

Type	Article number	Packaging, carton	Packaging, pallet	Weight per pcs.
Ballasts in standard design				
OGLS 250 C044W 220-240/50 040V130PL	89121836	2 pieces	214 pieces	3.1 kg
OGLS 400 C044W 220-240/50 060V150	89121840	2 pieces	84 pieces	4.5 kg
OGL 400 C044K 220-240/50 040V130PL	89121845	2 pieces	168 pieces	3.1 kg
OGLS 600 A046W 380-415/50 080V170	89121976	1 pieces	84 pieces	5.4 kg
OGLS 600 C045W 220-240/50 100V185HL	89121968	56 pieces	56 pieces	6.7 kg
Ballasts with power tapping				
OGLS 250/150 C043W 230/240/50 060V150	89121864	2 pieces	168 pieces	4.5 kg
OGLS 400/250 W C043W 230/240/50 080V170	89121865	1 pieces	84 pieces	5.4 kg
Ballasts with pulser tapping				
OGLI 400 PC043W 230/240/50 050V140	89121866	1 pieces	84 pieces	3.5 kg
OGLS 400 PC043W 230/240/50 060V150HL	89121873	1 pieces	84 pieces	4.5 kg

Specific technical data

Lamp wattage	Lamp type	Rated lamp current	Type	Article number	Voltage	Mains frequency	EEI	Thermal protection	Length L	Fixing dimensions		Core length KL	ΔT	Losses
										Hole spacing D	Hole spacing D1			
Ballasts in standard design														
250 W	HS/HI	3.00 A	OGLS 250 C044W	89121836	220/230/240 V	50 Hz	A2	yes	130 mm	110.5 – 124 mm	76.5 – 118 mm	40 mm	70 K	25.5 W
400 W	HS/HI	4.45 A	OGLS 400 C044W	89121840	220/230/240 V	50 Hz	A2	yes	150 mm	130.5 – 144 mm	96.5 – 138 mm	60 mm	70 K	30.0 W
400 W	HI	3.25 A	OGL 400 C044K	89121845	220/230/240 V	50 Hz	A2	no	130 mm	110.5 – 124 mm	76.5 – 118 mm	40 mm	75 K	25.1 W
600 W	HS	6.20 A	OGLS 600 A046W	89121976	380/400/415 V	50 Hz	–	yes	170 mm	150.5 – 164 mm	116.5 – 158 mm	80 mm	75 K	35.0 W
600 W	HS	6.20 A	OGLS 600 C045W	89121968	220/230/240 V	50 Hz	A2	yes	185 mm	165.5 – 179 mm	131.5 – 173 mm	100 mm	65/55 K	35.0 W
Ballasts with power tapping														
250/150 W	HS	3.00/1.8 A	OGLS 250/150 C043W	89121864	230/240 V	50 Hz	A2	yes	150 mm	130.5 – 144 mm	96.5 – 138 mm	60 mm	65/45 K	19.1 W
400/250 W	HS	4.45/3.0 A	OGLS 400/250 W C043W	89121865	230/240 V	50 Hz	A2	yes	170 mm	116.5 – 158 mm	150.5 – 164 mm	80 mm	65/45 K	31.9/19.1 W
Ballasts with pulser tapping														
400 W	HI	4.45 A	OGLI 400 PC043W	89121866	230/240 V	50 Hz	A2	yes	140 mm	120.5 – 134 mm	86.5 – 128 mm	50 mm	65 K	25.0 W
400 W	HS	4.45 A	OGLS 400 PC043W	89121873	230/240 V	50 Hz	A2	yes	150 mm	130.5 – 144 mm	96.5 – 138 mm	60 mm	70 K	30.0 W



OGLI 2000 W
Metal halide lamps

Product description

- Magnetic ballast
- For metal halide lamps
- Potted version: higher protection against corrosion
- Additional types on request

→ For product data sheet go to www.tridonic.com,
or available on request

Technical data

Max. winding temperature tw	130 °C
Screw terminal	1 – 6 mm ²



Lamp matrix, page 8

Compensation matrix, page 23

Suitable ignitors, page 58

Wiring diagrams and installation examples, page 59

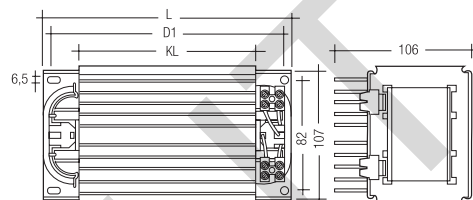


Fig. 1

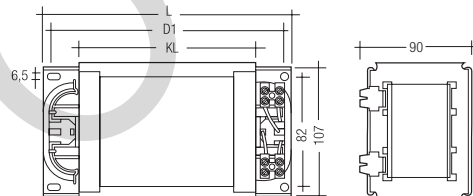


Fig. 2

Ordering data

Type	Article number	Figure	Packaging, carton	Packaging, pallet	Weight per pcs.
Ballasts in standard design					
OGLI 2000 W 160 380-415/50 160B214	20295037	1	2 pieces	72 pieces	8.0 kg
OGLI 2000W 160 380-415/50 160B214VG	20560905	1	2 pieces	72 pieces	10.7 kg
OGLI 2000 W 180 380-415/50 180B234	20566616	1	2 pieces	72 pieces	11.6 kg
OGLI 2000W 180 380-415/50 180B234VG	20567317	1	2 pieces	72 pieces	11.7 kg
OGLI 2000 W 210 380-420/50 210B268HL	20882285	2	2 pieces	72 pieces	13.1 kg
OGLI 2000C027K 360-415/50 210B268VGHL	22148887	2	28 pieces	28 pieces	13.6 kg
Ballasts with pulser tapping					
OGLI 2000 W PC026K 380/400/50 210B268HL	22175007	2	28 pieces	56 pieces	13.6 kg
OGLI 2000 W PC027K 360-400/50 210B268VGHL	22175009	2	28 pieces	56 pieces	13.6 kg
Ballasts for 60 Hz					
OGLI 2000 W 180 380-415/60 180B234VG	20563406	1	2 pieces	72 pieces	11.6 kg

Specific technical data

Lamp wattage	Lamp type	Rated lamp current	Type	Article number	Figure	Voltage	Mains frequency	Potted	EEL	Thermal protection	Length L	Fixing dimensions Hole spacing D1	Core length KL	ΔT	Losses
Ballasts in standard design															
2,000 W	HI	8.8 A	OGLI 2000 W 160	20295037	1	380 / 400 / 415 V	50 Hz	no	–	no	214 mm	200 mm	160 mm	80 K	75.0 W
2,000 W	HI	8.8 A	OGLI 2000W 160	20560905	1	380 / 400 / 415 V	50 Hz	yes	–	no	214 mm	200 mm	160 mm	80 K	58.2 W
2,000 W	HI	10.3 A	OGLI 2000 W 180	20566616	1	380 / 400 / 415 V	50 Hz	no	–	no	234 mm	220 mm	180 mm	80 K	100.0 W
2,000 W	HI	10.3 A	OGLI 2000W 180	20567317	1	380 / 400 / 415 V	50 Hz	yes	–	no	234 mm	220 mm	180 mm	80 K	85.0 W
2,000 W	HI	10.3 A	OGLI 2000 W 210	20882285	2	380 / 400 / 415 V	50 Hz	no	–	no	268 mm	254 mm	210 mm	90 K	105.0 W
2,000 W	HI	10.3 A	OGLI 2000C027K	22148887	2	380 / 400 / 415 V	50 Hz	yes	–	no	268 mm	254 mm	210 mm	90 K	83.0 W
Ballasts with pulser tapping															
2,000 W	HI	10.3 A	OGLI 2000 W PC026K	22175007	2	380 / 400 V	50 Hz	no	–	no	268 mm	254 mm	210 mm	85 K	80.0 W
2,000 W	HI	10.3 A	OGLI 2000 W PC027K	22175009	2	360 / 380 / 400 V	50 Hz	yes	–	no	268 mm	254 mm	210 mm	90 K	80.0 W
Ballasts for 60 Hz															
2,000 W	HI	10.3 A	OGLI 2000 W 180	20563406	1	380 / 400 / 415 V	60 Hz	yes	–	no	234 mm	220 mm	180 mm	70 K	86.0 W



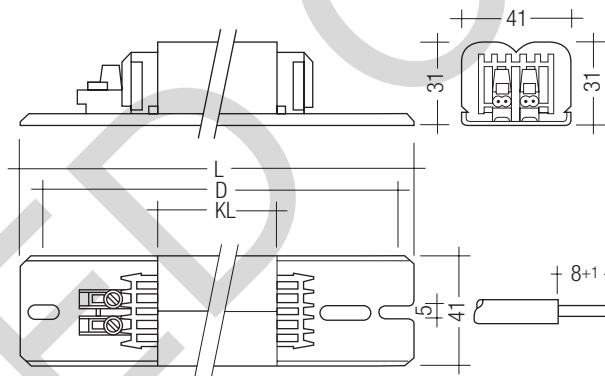
ECM 50 – 80 W
High-pressure mercury lamps

Product description

- Magnetic ballast
- For mercury vapour lamps
- For product data sheet go to www.tridonic.com, or available on request

Technical data

Max. winding temperature tw	130 °C
Push-in terminal	0.5 – 1.5 mm ²



→ **Lamp matrix**, page 8

Compensation matrix, page 23

Suitable ignitors, page 58

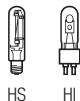
Wiring diagrams and installation examples, page 59

Ordering data

Type	Article number	Packaging, carton	Packaging, pallet	Weight per pcs.
Ballasts in standard design				
ECM 50 A90 230/50 090A165	20569741	15 pieces	630 pieces	0.85 kg
ECM 80 A140 230/50 140A231	22175043	5 pieces strapped	600 pieces	1.30 kg

Specific technical data

Lamp wattage	Lamp type	Rated lamp current	Type	Article number	Voltage	Mains frequency	EEL	Thermal protection	Length L	Fixing dimensions Hole spacing D	Core length KL	ΔT	Losses
Ballasts in standard design													
50 W	HM	0.62 A	ECM 50 A90	20569741	230 V	50 Hz	A3	no	165 mm	144 – 158 mm	90 mm	60 K	11.4 W
80 W	HM	0.80 A	ECM 80 A140	22175043	230 V	50 Hz	A3	no	231 mm	210 – 224 mm	140 mm	50 K	13.1 W



ECIS 35 – 70 W

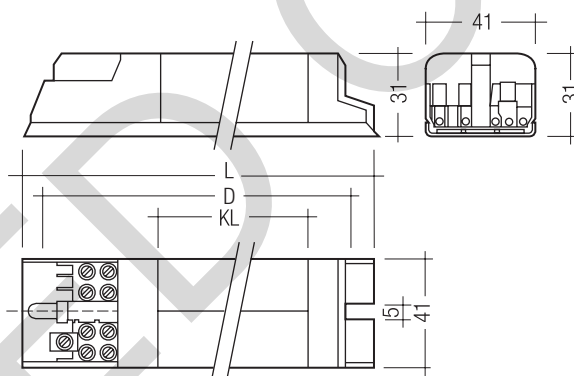
High-pressure sodium and metal halide lamps

Product description

- Magnetic ballast
 - For sodium lamps and metal halide lamps
 - Chokes with reversible thermal cutout:
trigger temperature 155 °C
- For product data sheet go to www.tridonic.com,
or available on request

Technical data

Max. winding temperature tw	130 °C
Screw terminal	0.75 – 1.5 mm ²



Lamp matrix, page 8

Compensation matrix, page 23

Suitable ignitors, page 58

Wiring diagrams and installation examples, page 59

Ordering data

Type	Article number	Packaging, carton	Packaging, pallet	Weight per pcs.
Ballasts in standard design				
ECIS 35 C90 230-250/50 090B165 TP	20566187	15 pieces	630 pieces	0.85 kg
ECIS 70 A140 230-250/50 140B215 TP	20566335	15 pieces	630 pieces	1.30 kg

Specific technical data

Lamp wattage	Lamp type	Rated lamp current	Type [®]	Article number	Voltage	Mains frequency	EEL	Thermal protection	Length L	Fixing dimensions Hole spacing D	Core length KL	ΔT	Losses
Ballasts in standard design													
35 W	HS / HI	0.53 A	ECIS 35 C90	20566187	230 / 240 / 250 V	50 Hz	A3	yes	165 mm	144 – 158 mm	90 mm	55 K	12 W
70 W	HS / HI	1.00 A	ECIS 70 A140	20566335	230 / 240 / 250 V	50 Hz	A3	yes	215 mm	194 – 208 mm	140 mm	75 K	21 W



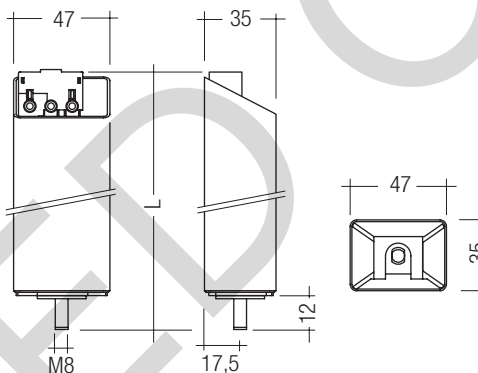
ECF 8 – 32
EC design

Product description

- Choke
 - For systems with carrier frequency controllers
 - For protection class II applications
 - Irreversible thermal cutout, trigger temperature 115 °C
- For product data sheet go to www.tridonic.com,
or available on request

Technical data

Voltage	230 / 240 V, 50 Hz
Cutoff frequency	> 485 Hz
Push-in terminal	0.5 – 1.5 mm ²



Ordering data

Type	Article number	Packaging, carton	Packaging, pallet
Choke with double insulation			
ECF 8/485 A201B 230/240/50 ZIMP 87	22175046	44 pieces	1,188 pieces
ECF 10/485 A201B 230/240/50 ZIMP 87	22175074	44 pieces	1,188 pieces
ECF 12/485 A201B 230/240/50 ZIMP 87	22175047	44 pieces	1,188 pieces
ECF 20/485 A201B 230/240/50 ZIMP 87	22149227	44 pieces	1,188 pieces
ECF 32/485 A201B 230/240/50 ZIMP 113	22175048	36 pieces	972 pieces

Specific technical data

Type	Article number	Compensation	Length L
Choke with double insulation			
ECF 8/485 A201B 230/240/50 ZIMP 87	22175046	8 µF	87 mm
ECF 10/485 A201B 230/240/50 ZIMP 87	22175074	10 µF	87 mm
ECF 12/485 A201B 230/240/50 ZIMP 87	22175047	12 µF	87 mm
ECF 20/485 A201B 230/240/50 ZIMP 87	22149227	20 µF	87 mm
ECF 32/485 A201B 230/240/50 ZIMP 113	22175048	32 µF	113 mm



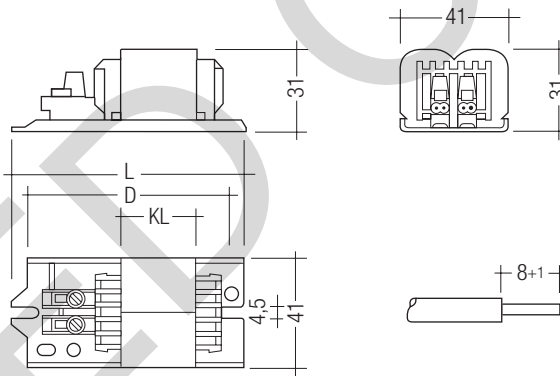
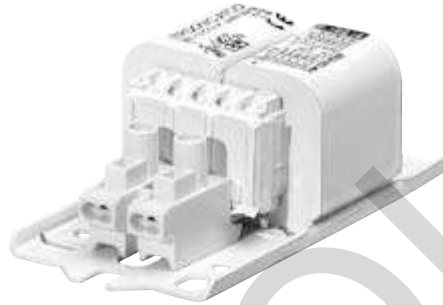
ECF 8 – 60
EC design

Product description

- Choke
 - For systems with carrier frequency controllers
 - For protection class I applications
- For product data sheet go to www.tridonic.com,
or available on request

Technical data

Voltage	230 / 240 V, 50 Hz
Cutoff frequency	> 485 Hz
Push-in terminal	0.5 – 1.5 mm ²



Ordering data

Type	Article number	Packaging, carton	Packaging, pallet
Standard choke			
ECF 8/485 A27 230/240/50 027A084	20560466	55 pieces	1,980 pieces
ECF 10/485 A27 230/240/50 027A084	20560494	55 pieces	1,980 pieces
ECF 12/485 A27 230/240/50 027A084	20566527	55 pieces	1,980 pieces
ECF 20/485 A27 230/240/50 027A084	20566549	55 pieces	1,980 pieces
ECF 25/485 A27 230/240/50 027A084	20825183	55 pieces	1,980 pieces
ECF 32/485 A27 230/240/50 027A084	20825199	55 pieces	1,980 pieces
ECF 45/485 A50 230/240/50 050A110	20820349	36 pieces	1,296 pieces
ECF 60/485 A50 230/240/50 050A151	20566568	36 pieces	1,296 pieces

Specific technical data

Type	Article number	Compensation	Length L	Hole spacing D
Standard choke				
ECF 8/485 A27 230/240/50 027A084	20560466	8 µF	84.5 mm	77 mm
ECF 10/485 A27 230/240/50 027A084	20560494	10 µF	84.5 mm	77 mm
ECF 12/485 A27 230/240/50 027A084	20566527	12 µF	84.5 mm	77 mm
ECF 20/485 A27 230/240/50 027A084	20566549	20 µF	84.5 mm	77 mm
ECF 25/485 A27 230/240/50 027A084	20825183	25 µF	84.5 mm	77 mm
ECF 32/485 A27 230/240/50 027A084	20825199	32 µF	84.5 mm	77 mm
ECF 45/485 A50 230/240/50 050A110	20820349	45 µF	110.0 mm	100 – 104 mm
ECF 60/485 A50 230/240/50 050A151	20566568	60 µF	151.0 mm	130 – 144 mm



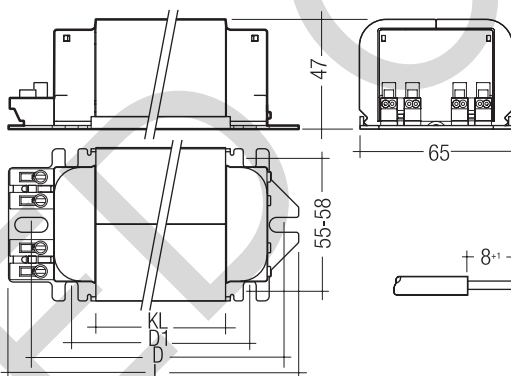
OMF 37 – 60
OM design

Product description

- Choke
 - For systems with carrier frequency controllers
 - For protection class I applications
- For product data sheet go to www.tridonic.com, or available on request

Technical data

Voltage	400 V, 50 Hz
Cutoff frequency	> 485 Hz
Push-in terminal	0.5 – 1.5 mm ²



Ordering data

Type	Article number	Packaging, carton	Packaging, pallet
Protection class I			
OMF 37/485 400/50 055A125T	22175055	10 pieces	480 pieces
OMF 60/485 400/50 055A125T	20568154	10 pieces	480 pieces

Specific technical data

Type	Article number	Compensation	Length L	Hole spacing D
Protection class I				
OMF 37/485 400/50 055A125T	22175055	37 µF	125 mm	109.5 mm
OMF 60/485 400/50 055A125T	20568154	60 µF	125 mm	109.5 mm



OM PAK 35 – 150 W standard version
Supply units

Product description

- Series OM ballast
 - Also suitable for high ambient temperatures up to 65 °C
 - Integrated standard superimposed-pulse ignitor ZRM 2.5 ES/C
 - Temperature-protected
 - Low-loss
 - Simple connection of all cables in a generously sized connection compartment; no tools required
- For product data sheet go to www.tridonic.com, or available on request

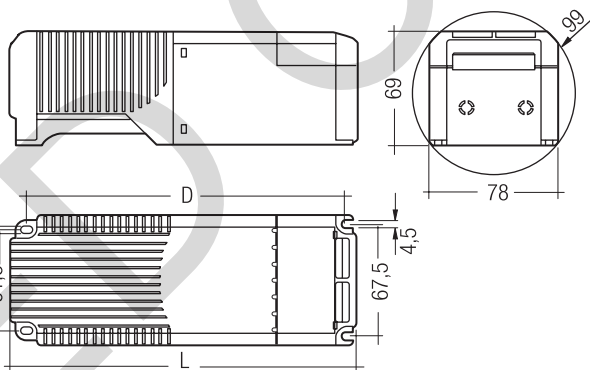


Technical data

Ignitor	ZRM 2.5-ES/C
Max. cable length to lamp (75 pF/m)	1.5 m



Lamp matrix, page 8



Ordering data

Type	Article number	Packaging, carton	Packaging, pallet	Weight per pcs.
OM PAK 35 M B113 230/240V 50Hz	22116414	1 pieces	135 pieces	1.4 kg
OM PAK 70 M B113 230/240V 50Hz	20889779	1 pieces	135 pieces	1.8 kg
OM PAK 150 M B113 230/240V 50Hz	22115639	1 pieces	108 pieces	3.0 kg

Specific technical data

Lamp wattage	Lamp type	Rated lamp current	Type	Article number	Voltage	Mains frequency	EEL	Length L	Hole spacing D	Ambient temperature t_a	Losses	Mains current	λ
35 W	HI	0.53 A	OM PAK 35 M B113	22116414	230 / 240 V	50 Hz	A3	210 mm	193.5 mm	65 °C	8.6 W	0.22 A	0.95
70 W	HI	1.00 A	OM PAK 70 M B113	20889779	230 / 240 V	50 Hz	A3	210 mm	193.5 mm	55 °C	15.7 W	0.43 A	0.95
150 W	HI	1.80 A	OM PAK 150 M B113	22115639	230 / 240 V	50 Hz	A3	260 mm	243.5 mm	50 °C	24.0 W	0.76 A	0.95



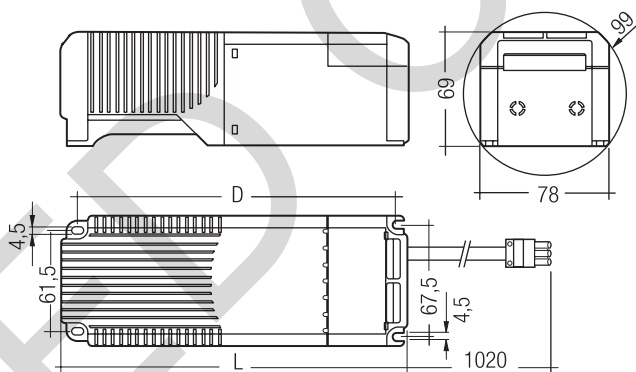
OM PAK 35 – 150 W standard version with lamp cable
Supply units

Product description

- Series OM ballast
 - Also suitable for high ambient temperatures up to 65 °C
 - Rapid lamp starting and restarting thanks to integrated standard superimposed-pulse ignitor ZRM 2.5 ES/C
 - Temperature-protected
 - Low-loss
 - Simple connection of all cables in a generously sized connection compartment; no tools required
 - Halogen-free three-core lamp cable, length 1.0 m
 - With fitted ST-18 socket
- For product data sheet go to www.tridonic.com, or available on request

Technical data

Ignitor	ZRM 2,5-ES/C
Max. cable length to lamp (75 pF/m)	1.5 m



Lamp matrix, page 8

Ordering data

Type	Article number	Packaging, carton	Packaging, pallet	Weight per pcs.
OM PAK 35 M B513 230-250V 50Hz 1200	22116515	1 pieces	84 pieces	1.4 kg
OM PAK 70 M B513 230-250V 50Hz 1200	22116537	1 pieces	84 pieces	1.8 kg
OM PAK 150 M B513 230-250V 50Hz 1200	22116562	1 pieces	75 pieces	3.0 kg

Specific technical data

Lamp wattage	Lamp type	Rated lamp current	Type	Article number	Voltage	Mains frequency	EEL	Length L	Hole spacing D	Ambient temperature t_a	Losses	Mains current	λ
35 W	HI	0.53 A	OM PAK 35 M B513	22116515	230 / 240 / 250 V	50 Hz	A3	210 mm	193.5 mm	65 °C	8.6 W	0.22 A	0.95
70 W	HI	1.00 A	OM PAK 70 M B513	22116537	230 / 240 / 250 V	50 Hz	A3	210 mm	193.5 mm	55 °C	15.7 W	0.38 A	0.95
150 W	HI	1.80 A	OM PAK 150 M B513	22116562	230 / 240 / 250 V	50 Hz	A3	260 mm	243.5 mm	50 °C	23.2 W	0.76 A	0.95



OM PAK 35 – 150 W digital ignitor with timer
Supply units

Product description

- Series OM ballast
 - Also suitable for high ambient temperatures up to 65 °C
 - Rapid lamp starting and restarting thanks to integrated digital superimposed-pulse ignitor ZRM 2.5 ES/CT
 - Automatic shutdown for a faulty lamp
 - Temperature-protected
 - Low-loss
 - Simple connection of all cables in a generously sized connection compartment; no tools required
- For product data sheet go to www.tridonic.com, or available on request

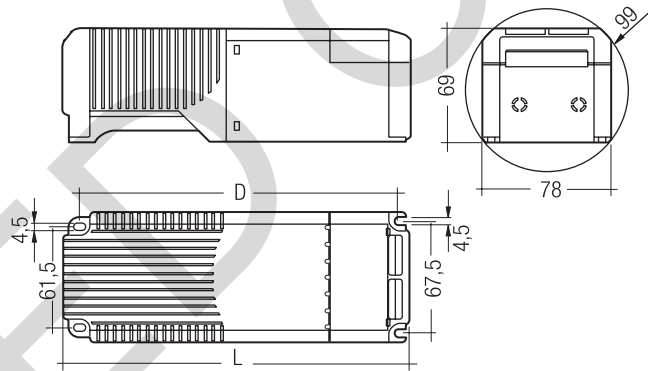


Technical data

Ignitor	ZRM 2,5-ES/CT
Max. cable length to lamp (75 pF/m)	1.5 m



Lamp matrix, page 8



Ordering data

Type	Article number	Packaging, carton	Packaging, pallet	Weight per pcs.
OM PAK 35 M B133 230/240V 50Hz	20889876	1 pieces	135 pieces	1.4 kg
OM PAK 70 M B133 230/240V 50Hz	22115608	1 pieces	135 pieces	1.8 kg
OM PAK 150 M B133 230/240V 50Hz	22115645	1 pieces	108 pieces	3.0 kg

Specific technical data

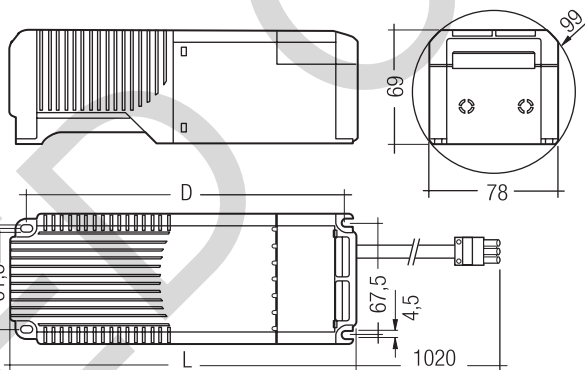
Lamp wattage	Lamp type	Rated lamp current	Type	Article number	Voltage	Mains frequency	EEL	Length L	Hole spacing D	Ambient temperature t_a	Losses	Mains current	λ
35 W	HI	0.53 A	OM PAK 35 M B133	20889876	230 / 240 V	50 Hz	A3	210 mm	193.5 mm	65 °C	8.6 W	0.22 A	0.95
70 W	HI	1.00 A	OM PAK 70 M B133	22115608	230 / 240 V	50 Hz	A3	210 mm	193.5 mm	55 °C	15.7 W	0.43 A	0.95
150 W	HI	1.80 A	OM PAK 150 M B133	22115645	230 / 240 V	50 Hz	A3	260 mm	243.5 mm	50 °C	24.0 W	0.76 A	0.95



OM PAK 35 – 150 W digital ignitor with timer and cable
Supply units

Product description

- Series OM ballast
 - Also suitable for high ambient temperatures up to 65 °C
 - Rapid lamp starting and restarting thanks to integrated digital superimposed-pulse ignitor ZRM 2.5 ES/CT
 - Automatic shutdown for a faulty lamp
 - Temperature-protected
 - Low-loss
 - Simple connection of all cables in a generously sized connection compartment; no tools required
 - Halogen-free three-core lamp cable, length 1.0 m
 - With fitted ST-18 socket
- For product data sheet go to www.tridonic.com, or available on request



Technical data

Ignitor	ZRM 2,5-ES/CT
Max. cable length to lamp (75 pF/m)	1.5 m



Lamp matrix, page 8

Ordering data

Type	Article number	Packaging, carton	Packaging, pallet	Weight per pcs.
OM PAK 35 M B533 230-250V 50Hz 1200	22116506	1 pieces	84 pieces	1.4 kg
OM PAK 70 M B533 230-250V 50Hz 1200	22116521	1 pieces	84 pieces	1.8 kg
OM PAK 150 M B533 230-250V 50Hz 1200	22116559	1 pieces	75 pieces	3.0 kg

Specific technical data

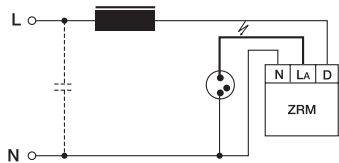
Lamp wattage	Lamp type	Rated lamp current	Type	Article number	Voltage	Mains frequency	EEL	Length L	Hole spacing D	Ambient temperature t_a	Losses	Mains current	λ
35 W	HI	0.53 A	OM PAK 35 M B533	22116506	230 / 240 / 250 V	50 Hz	A3	210 mm	193.5 mm	65 °C	8.6 W	0.22 A	0.95
70 W	HI	1.00 A	OM PAK 70 M B533	22116521	230 / 240 / 250 V	50 Hz	A3	210 mm	193.5 mm	55 °C	15.7 W	0.38 A	0.95
150 W	HI	1.80 A	OM PAK 150 M B533	22116559	230 / 240 / 250 V	50 Hz	A3	260 mm	243.5 mm	50 °C	23.2 W	0.76 A	0.95

Ignitor matrix

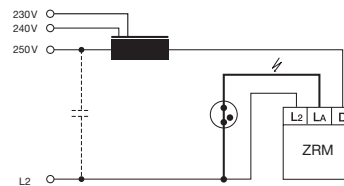
Standard superimposed-pulse ignitors											Digital superimposed-pulse ignitors with switch-off function					Pulse ignitors								
	ZRM 2-ES/C	ZRM 2.5-ES/C	ZRM 4.5-ES/C	ZRM 6-ES/C	ZRM 6-ES/C 400	ZRM 6-ES/C 3.5 kV	ZRM 12-ES/C	ZRM 12-ES/C 400	ZRM 20-ES/B	ZRM 20-ES/B 400	ZRM 2-ES/CT	ZRM 2.5-ES/CT	ZRM 4.5-ES/CT	ZRM 6-ES/CT	ZRM 12-ES/CT	ZRM 4000 powerPULSE	ZRM 4000/400 powerPULSE	ZRM 2300 C201	ZRM 4000 C201	ZRM 4000 B101	ZRM 1000 A004	ZRM 1000 A005	ZRM 1200/400 A001	
Ignition voltage max. kV _p	2.5	5.0	5.0	5.0	5.0	4.0	5.0	5.0	5.0	5.0	2.5	5.0	5.0	5.0	5.0	4.1	4.1	2.3	4.5	4.5	0.9	0.9	1.4	
Lamp current I _{max} A	1.0	3.0	4.6	5.0	6.0	5.0	12.0	12.7	20.0	20.0	1.0	3.0	4.6	5.0	12.0	-	-	-	-	-	-	-	-	
Metal halide lamps (HI)	35 W	●	○ ⁶	○			○					●	○ ⁶	○	○	●			●					
	70 W	● ¹	●	● ⁶	○		○				● ¹	●	● ⁶	○	○	●		● ¹	●					
	100 W		●	● ⁶	○			○				●	● ⁶	○	○	●		● ¹	●					
	150 W	● ¹	●	● ⁶	○			○			● ¹	●	● ⁶	○	○	●		● ¹	●					
	250 W		●	● ⁶	○			○				●	● ⁶	○	○	●			●			● ³	● ³	
	400 W			● ⁶	●			○					● ⁶	●	○	●			●			● ³	● ³	
	1,000 W							●		○					●	●			●			● ³	● ³	○
	1,800 W								● ⁴	● ⁵						● ⁴	● ⁵							
	2,000 W								●	●	○						●							○
	3,500 W									●														○
High-pressure sodium lamps (HS)	35 W	●									●													
	50 W	●									●							●						
	70 W	● ¹	● ²	○ ⁶							● ¹	●	○ ⁶			●		● ¹						
	100 W		●	● ⁶	○							●	● ⁶	○	○	●			●	●				
	150 W		●	● ⁶	○							●	● ⁶	○	○	●			●	●				
	250 W		●	● ⁶	○							●	● ⁶	○	○	●			●	●				
	400 W			● ⁶	●								● ⁶	●	○	●			●	●				
	600 W					●		●	○						●	●	●		●					
	750 W					○											●							
	1,000 W							●	○						●	●			●					

- 1 For lamps with ignition voltages < 2.5 kV_p
 - 2 For high-pressure sodium lamps 70 W with ignition voltage 4.0 – 5.0 kV_p
 - 3 For lamps with ignition voltages < 1,000 V
 - 4 400 V lamps with 12.5 A lamp current
 - 5 230 V lamps with 17.3 A lamp current
 - 6 Recommended for outdoor applications
- recommended ○ used for

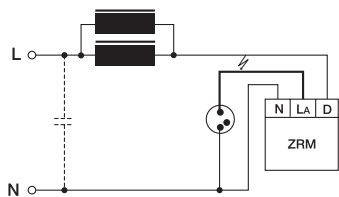
Single-voltage circuit with superimposed-pulse ignitor for sodium vapour lamps and metal halide lamps



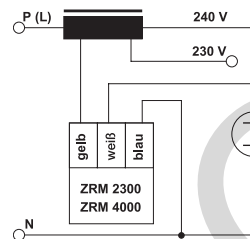
Multi-voltage circuit with superimposed-pulse ignitor for sodium vapour lamps and metal halide lamps



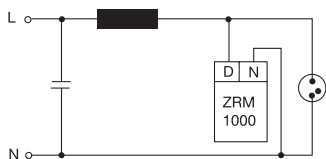
Single-voltage circuit for ECIS 150 1/2 with superimposed-pulse ignitor for sodium vapour lamps and metal halide lamps



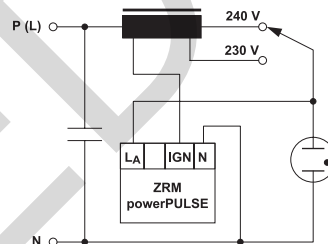
Multi-voltage circuit with pulse ignitors ZRM 2300 and ZRM 4000



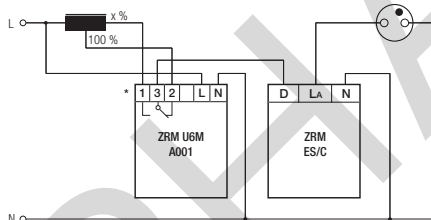
Parallel pulse circuit for metal halide lamps up to 1 kV_p ignition voltage



Multi-voltage circuit with pulse ignitors ZRM 4000 powerPULSE for sodium vapour lamps and metal halide lamps

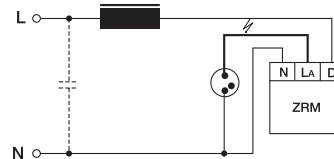


Power changeover for sodium vapour lamps by means of tapped choke and ZRM U6M

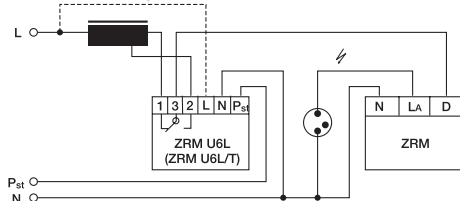


* standby operation: pin 1 and 2 are connected
100 % operation: pin 2 and 3 are connected

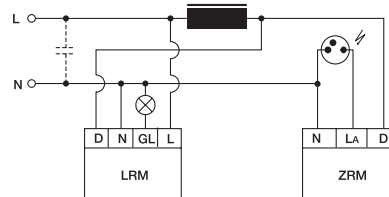
Upgrading from mercury vapour lamps to sodium vapour lamps by means of supplementary impedance



Power changeover for sodium vapour lamps by means of tapped choke and ZRM U6L



Ignition time bridging of metal halide lamps by means of LRM 500 S



Go to www.tridonic.com to find your personal contact at Tridonic.

Further information and ordering data:



FLASH
customer magazine
Order no. 89003244
03/12



Data sheets available
at www.tridonic.com,
“Technical data” menu



Certificates at
www.tridonic.com,
“Technical data” menu



Effective 06/12
Subject to change without notice.