

The VRS bedhead/room sounder is the ideal choice for a discreet but effective warning signal and can be supplied for surface or flush mount fixing.

The innovative design allows the sound to be laterally dispersed enabling the unit to be equally effective from any direction.

Easy to install the unit is designed to work on both conventional fire alarm and SAV-WIRE® two wire systems. The sounder is also supplied with a two-stage alarm override which is activated by a third negative wire from the fire panel.

- 4 tones plus a selectable override tone
- variable volume control
- designed to work with both conventional and two-wire (SAV-WIRE®) systems
- high sound output energy efficient design



TECHNICAL

| | |
|--------------------------|---|
| voltage range (Vdc) | 8 - 35 |
| number of tones | 4 |
| operating frequency (Hz) | 800 - 1000 |
| temperature range (°C) | -20 to +70 |
| monitoring | reverse polarity |
| protection rating | IP43 |
| boxed weight (kg) | 0.10 |
| body colours available | red or white (ABS fire retardant plastic) |

PERFORMANCE

| | |
|---|-------|
| sound output, typical (dBA) | 97.6 |
| sound output, anechoic chamber (dBA) | 93.3 |
| sound output, reverberation chamber (dBA) | 108.1 |
| max. current consumption @ 24Vdc (mA) | 28.6 |
| power consumption @ 24Vdc (mW) | 686 |

NB: see tone list performance for more accurate current consumption figures

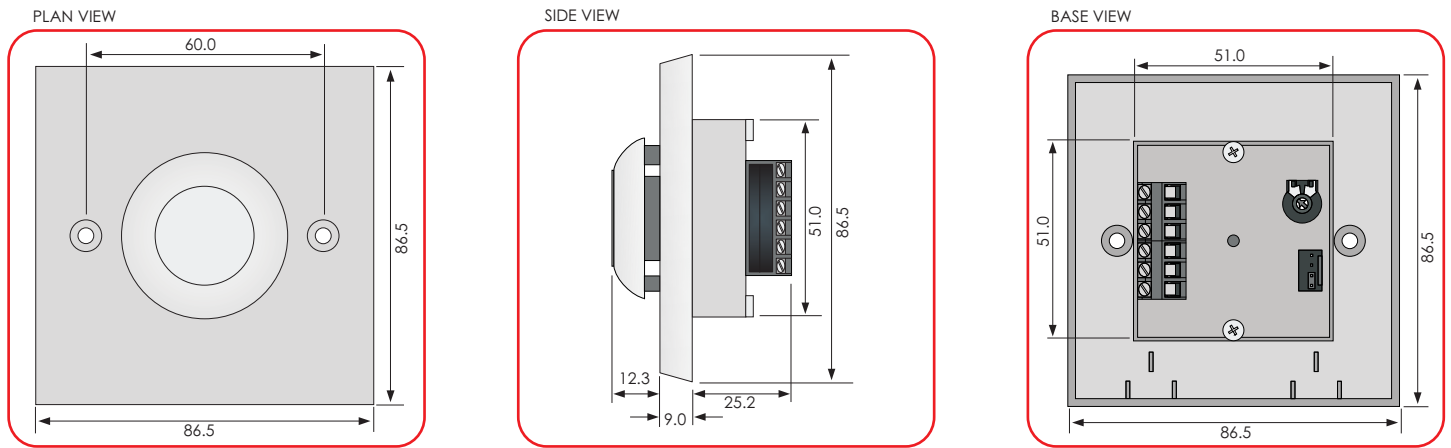
TONE LIST - GRAPHICAL & PERFORMANCE

| tone | description | typical sound output (dBA) | max running current (mA) | |
|------------|--|----------------------------|--------------------------|--|
| sweep | 800-1000Hz swept every 500ms (2Hz) | 93.3 | 27.7 | |
| pips | 800Hz for 800ms, then off for 500ms | 89.7 | 22.3 | |
| warble | 800Hz for 500ms, then 1000Hz for 500ms | 96.0 | 28.6 | |
| continuous | 800Hz continuous | 90.2 | 28.2 | |

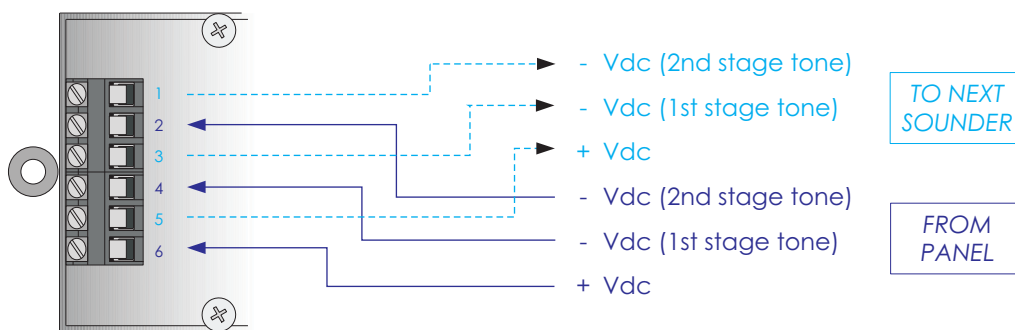
ORDERING INFORMATION

| | |
|--------------------|---------|
| white body, 4 tone | 504-001 |
| red body, 4 tone | 504-002 |

DIMENSIONS, PRODUCT MOUNTING & CABLE ENTRY



WIRING CONFIGURATION



TONE & VOLUME SELECTION

