

Data Sheet | Item Number: 222-415

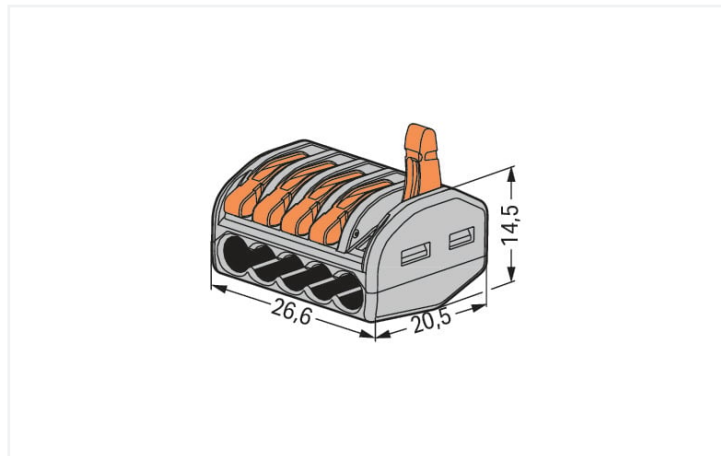
CLASSIC Splicing Connector; for all conductor types; max. 4 mm²; 5-conductor;
with levers; gray housing; Surrounding air temperature: max 40°C; 2,50 mm²; gray



<https://www.wago.com/222-415>



Color: ■ gray



Dimensions in mm

Notes

Safety information

in grounded power lines

Electrical data

Ratings per IEC/EN

Ratings per	EN 60664
Nominal voltage (II/2)	400 V
Rated surge voltage (II/2)	4 kV
Rated current	32 A
Legend (ratings)	(II / 2) \triangleq Overvoltage category II / Pollution degree 2

Connection data

Connection points	5
Total number of potentials	1

Connection 1

Connection technology	CAGE CLAMP®
Actuation type	Lever
Connectable conductor materials	Copper
Solid conductor	0.08 ... 2.5 mm ² / 28 ... 12 AWG
Stranded conductor	0.08 ... 2.5 mm ² / 28 ... 12 AWG
Fine-stranded conductor	0.08 ... 4 mm ² / 28 ... 12 AWG
Strip length	9 ... 10 mm / 0.35 ... 0.39 inches
Wiring direction	Side-entry wiring

Physical data

Width	26.6 mm / 1.047 inches
Height	14.5 mm / 0.571 inches
Depth	20.5 mm / 0.807 inches

Material data

Note (material data)	Information on material specifications can be found here
Color	gray
Flammability class per UL94	V0
Fire load	0.141 MJ
Actuator color	orange
Weight	6.6 g

Environmental requirements

Continuous operating temperature	85 °C
----------------------------------	-------

Commercial data

Product Group	7 (Push Wire Conn.)
eCl@ss 10.0	27-14-11-04
eCl@ss 9.0	27-14-11-04
ETIM 8.0	EC000446
ETIM 7.0	EC000446
PU (SPU)	400 (40) pcs
Packaging type	Box
Country of origin	DE
GTIN	4044918464956
Customs tariff number	85369010000

Approvals / Certificates

General approvals



Approval	Standard	Certificate Name
ENEC 15 UL International Demko A/ S	EN 60998	ENEC-01360
UL_Listed_64KA UL International Germany GmbH	UL 467	E201573
UL UL International Germany GmbH	UL 486C	E69654

Declarations of conformity and manufacturer's declarations

Approval	Standard	Certificate Name
EU-Declaration of Confor- mity WAGO GmbH & Co. KG	-	-
UK-Declaration of Confor- mity WAGO GmbH & Co. KG	-	-

Approvals for marine applications



Approval	Standard	Certificate Name
ABS American Bureau of Ship- ping	-	18-HG1755093-PDA
DNV GL Det Norske Veritas, Ger- manischer Lloyd	EN 60998	TAE000015T
LR Lloyds Register	EN 60998	LR22207029TA

Downloads

Environmental Product Compliance

Compliance Search
Environmental Product Compliance 222-415 ↓

Documentation

Bid Text			
222-415	19.02.2019	xml 3.38 KB	↓
222-415	23.01.2019	docx 15.39 KB	↓

CAD/CAE-Data

CAD data
2D/3D Models 222-415 ↓

CAE data
EPLAN Data Portal 222-415 ↓
WSCAD Universe 222-415 ↓
ZUKEN Portal 222-415 ↓

1 Compatible Products

1.1 Optional Accessories

1.1.1 Mounting adapter

1.1.1.1 Mounting accessories

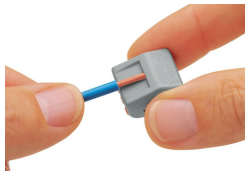


Item No.: 222-500

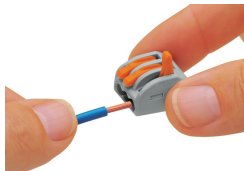
Mounting carrier; 222 Series; for DIN-35 rail mounting/screw mounting; orange

Installation Notes

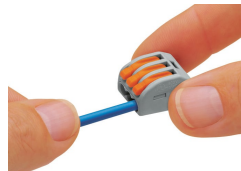
Conductor termination



Strip conductor to 9 ... 10 mm (0.35 ... 0.39 inch).



Termination: Lift the lever to open the clamping unit and insert a stripped conductor.



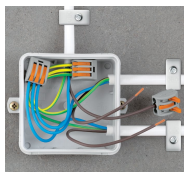
Then, lower the lever to close the clamp.

Testing



Testing via Profi-LED+ voltage tester (206-806).

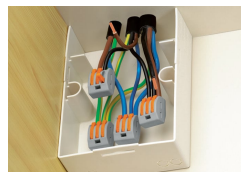
Application



Wiring fine-stranded conductors in junction boxes.



Custom low-voltage lighting system



Connecting pre-wired and pre-fabricated components (e.g., in mobile homes).



Lighting fixture connection with fine-stranded wires and power feed

