

Europa Components, Europa House, Airport Way, Luton, Beds, LU2 9NH
 Technical: 01582 692 444 | technical@europacomponents.com
 Sales: 01582 692 440 | sales@europacomponents.com
 Website: www.europacomponents.com



It is the responsibility of the person installing the electrical equipment to ensure that the installation meets the requirements of the IET wiring regulations and is therefore 'fit for purpose'. Factors such as correct selection of components, cable sizing, protective devices and Earth bonding are all critical and should be checked prior to full testing and power-up. Any other regulations applicable to the equipment being installed such as the Machinery Directive and current health and safety legislation must also be adhered to.

All connections (including factory made) must be checked for the correct tightness prior to commissioning of the electrical installation.
 All connections should be inspected periodically to ensure correct tightness.

DO NOT USE POWER TOOLS ON THESE PRODUCTS

MODULAR CONTACTORS

EUC1 | EUC2 | EUC3 | EUC6
 20-125A Modular contactors

Description

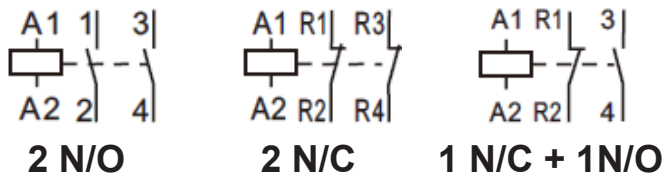
- Ideal for consumer unit applications.
- Available in 2 pole and 4 pole versions.
- Normally open and normally closed options available.
- DIN rail mounted fitting.
- Quiet operation.



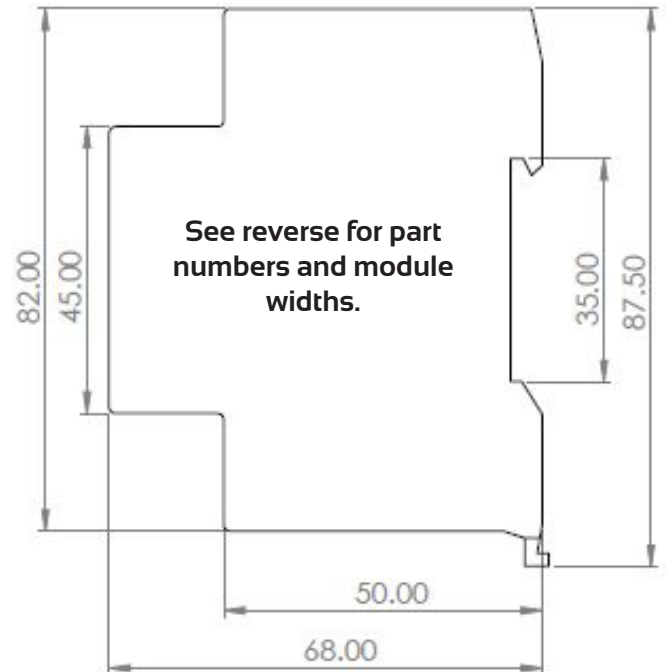
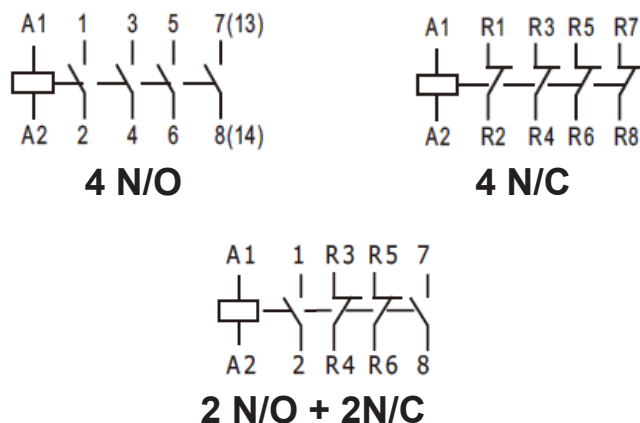
Wiring Diagrams

Note: All Dimensions in mm

Two-Pole Modular Contactors



Four-Pole Modular Contactors



Part Number	Description	No. of Modules	Rated Terminal Capacity Supply (mm ²)	Rated Terminal Capacity Coil (mm ²)
2 Pole Modular Contactor				
EUC1-20-2P	2N/O 20A 230V AC	1 (18mm)	1.5-10mm ²	0.75-2.5mm ²
EUC1-20-2NC	2N/C 20A 230V AC			
EUC1-25-2P	2N/O 25A 230V AC			
EUC1-25-2NCP	2N/C 25A 230V AC			
EUC1-20-2NOB	2N/O 20A 24V AC			
EUC1-20-2NCB	2N/C 20A 24V AC			
EUC1-20-NONCP	1N/O+1N/C 20A 230V AC			
EUC2-63-2P	2N/O 63A 230V AC	2 (36mm)	2.5-25mm ²	
EUC3-125-2P	2N/O 125A 230V AC	3 (54mm)	50mm ²	
4 Pole Modular Contactor				
EUC2-25-4P	4N/O 25A 230V AC	2 (36mm)	1.5-10mm ²	0.75-2.5mm ²
EUC2-25-4NCP	4N/C 25A 230V AC			
EUC2-25-4NOB	4N/O 25A 24V AC			
EUC2-25-4NCB	4N/C 25A 24V AC			
EUC2-25-2NO2NCP	2N/O+2N/C 25A 230V AC			
EUC3-40-4P	4N/O 40A 230V AC	3 (72mm)	2.5-25mm ²	
EUC3-40-4NCP	4N/C 40A 230V AC			
EUC3-40-4NOB	4N/O 40A 24V AC			
EUC3-40-4NCB	4N/C 40A 24V AC			
EUC3-63-4P	4N/O 63A 230V AC			
EUC3-63-4NCP	4N/C 63A 230V AC			
EUC3-63-4NOB	4N/O 63A 24V AC			
EUC3-63-4NCB	4N/C 63A 24V AC			
EUC6-125-4P	4N/O 125A 230V AC	6 (108mm)	50mm ²	

Range	Rated Insulation Voltage (Ui)	Rated Operation Current AC1 (Ie)	Rated Operation Current AC3 (Ie)	Rated Power AC1 (kW)	Rated Power AC3 (kW)
EUC1-20	400V AC	20A	9A	4kW (230V AC)	-
EUC1-25		25A			-
EUC2-25	500V AC			16kW	4kW
EUC2-63	690V AC	63A	32A	11.6kW	3.3kW
EUC3-40	500V AC	40A	25A	28kW	12kW
EUC3-63		63A	32A	40kW	15kW
EUC3-125	690V AC	125A	80A	20kW	6.5kW
EUC6-125				70kW	25kW